



EUROPEAN ANTENNAS

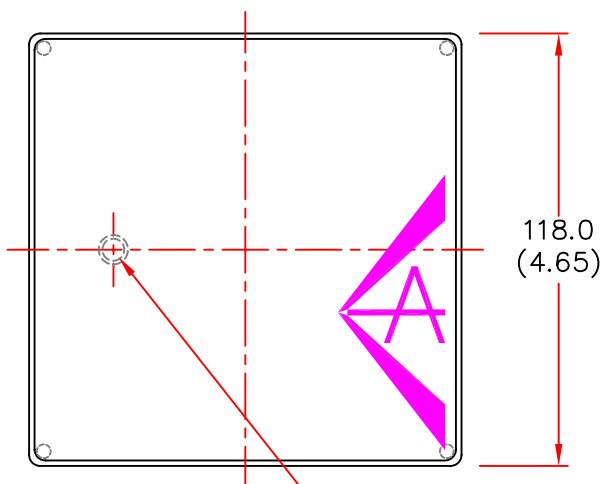


FLAT PANEL ANTENNA

MODEL: FPA13-39V/209

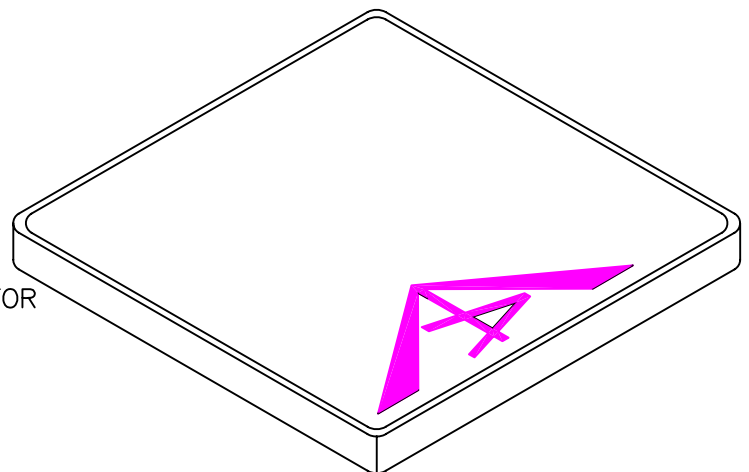
FREQUENCY: 3.7 - 4.1 GHz	GAIN: 13 dBi
POLARISATION: Linear (Vertical)	BEAMWIDTH: 40° x 40°
CROSS POLAR: 20 dB	VSWR: 1.5 : 1
POWER RATING: 10 W	FRONT TO BACK: 30 dB
TEMPERATURE: -20°C to +50°C	MASS: 350g /12oz
RADOME: Glass Fibre/Gloss White	WIND LOADING: 2.3Kg/5.0lbs/@100mph

PLAN VIEW

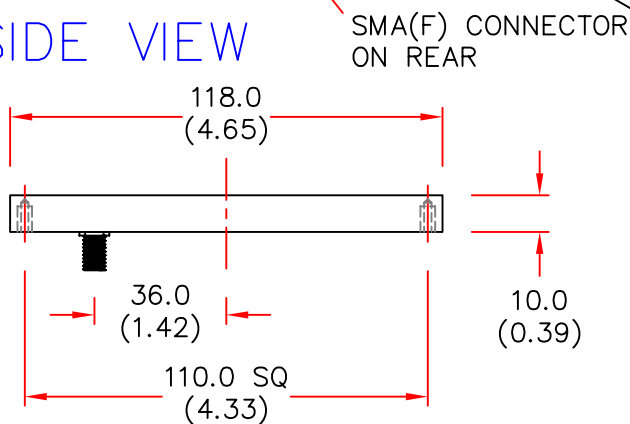


MOUNTING VIA 4 x M4 X 7.0 DEEP HOLES ON REAR (CENTRES 110.0 x 110.0)

ISOMETRIC VIEW



SIDE VIEW



DIMENSIONS: mm (inches)

GA 209-1 Issued 041296

EUROPEAN ANTENNAS LTD.

TEL: +44 (0)1638 731888

LAMBDA HOUSE, CHEVELEY,
NEWMARKET, SUFFOLK, CB8 9RG,
UNITED KINGDOM.

FAX: +44 (0)1638 731999

European Antennas Ltd. has a policy of continuous development and therefore stress that the data contained on this sheet should be used for guidance only.