



Precision 3.5mm Female to 3.5mm Female Adapter

TECHNICAL DATA SHEET

PE9331

Precision 3.5mm Female to 3.5mm Female Adapter

Configuration

Connector 1	3.5mm Female
Impedance 1	50 Ohms
Connector 2	3.5mm Female
Impedance 2	50 Ohms
Adapter Design	Precision
Body Style	Straight

Electrical Specifications

Frequency Range, GHz	DC to 34.5
Maximum VSWR	1.25:1
Maximum Insertion Loss, dB	0.294

Mechanical Specifications

Temperature

Operating Range, deg C	-55 to +100
------------------------	-------------

Size

Length, in [mm]	0.725 [18.42]
Width/Dia., in [mm]	0.25 [6.35]

Connector 1

Type	3.5mm Female
Mating Cycles	500
Inner Conductor Material and Plating	Beryllium Copper, Gold
Inner Conductor Plating Specification	MIL-G-45204, Type II, Class 1
Body Material and Plating	Passivated Stainless Steel
Body Plating Specification	ASTM A380
Dielectric Type	Rexolite

Connector 2

Type	3.5mm Female
Mating Cycles	500
Inner Conductor Material and Plating	Beryllium Copper, Gold
Inner Conductor Plating Specification	MIL-G-45204, Type II, Class 1
Body Material and Plating	Passivated Stainless Steel
Body Plating Specification	ASTM A380
Dielectric Type	Rexolite

Compliance Certifications (visit www.Pasternack.com for current document)

RoHS Compliant	Yes
----------------	-----

Click the following link (or enter part number in "SEARCH" on website) to obtain additional part information including price, inventory and certifications: [Precision 3.5mm Female to 3.5mm Female Adapter PE9331](#)

The information contained in this document is accurate to the best of our knowledge and representative of the part described herein. It may be necessary to make modifications to the part and/or the documentation of the part, in order to implement improvements. Pasternack reserves the right to make such changes as required. Unless otherwise stated, all specifications are nominal.





Precision 3.5mm Female to 3.5mm Female Adapter

TECHNICAL DATA SHEET

PE9331

Plotted and Other Data

Notes:

Values at 25 °C, sea level

Precision 3.5mm Female to 3.5mm Female Adapter from Pasternack Enterprises has same day shipment for domestic and International orders. Our RF, microwave and fiber optic products maintain a 99% availability and are part of the broadest selection in the industry.

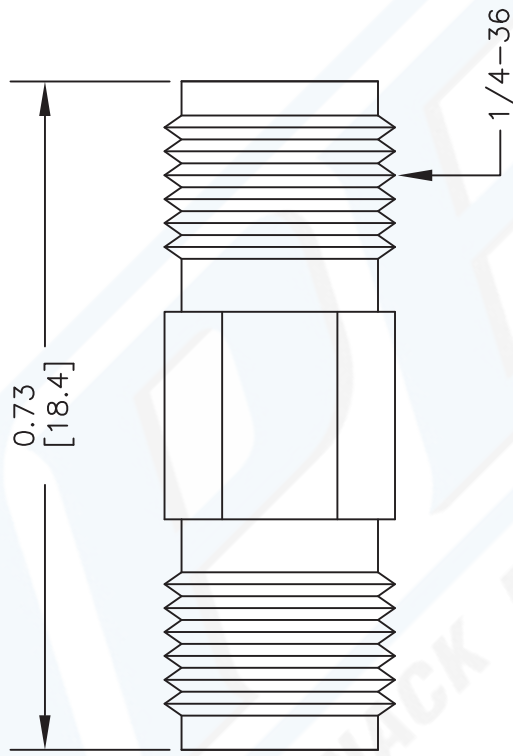
Click the following link (or enter part number in "SEARCH" on website) to obtain additional part information including price, inventory and certifications: [Precision 3.5mm Female to 3.5mm Female Adapter PE9331](#)

URL: <http://www.pasternack.com/3.5mm-female-3.5mm-female-straight-adapter-pe9331-p.aspx>

The information contained in this document is accurate to the best of our knowledge and representative of the part described herein. It may be necessary to make modifications to the part and/or the documentation of the part, in order to implement improvements. Pasternack reserves the right to make such changes as required. Unless otherwise stated, all specifications are nominal.

PE9331 CAD Drawing

Precision 3.5mm Female to 3.5mm Female Adapter



DWG TITLE

PE9331

NOTES:
1. UNLESS OTHERWISE SPECIFIED ALL DIMENSIONS ARE NOMINAL.
2. ALL SPECIFICATIONS ARE SUBJECT TO CHANGE WITHOUT NOTICE AT ANY TIME.
3. DIMENSIONS ARE IN INCHES [mm].

REV. -

FSCM NO. 53919

CAD FILE 070204

SCALE N/A

SIZE A

127



PASTERNAK®
Pasternack Enterprises, Inc.
P.O. Box 16759 | Irvine | CA | 92623

Phone: (949) 261-1920 | Fax: (949) 261-7451

Website: www.pasternack.com | E-Mail: sales@pasternack.com