

Oscillator OCXO

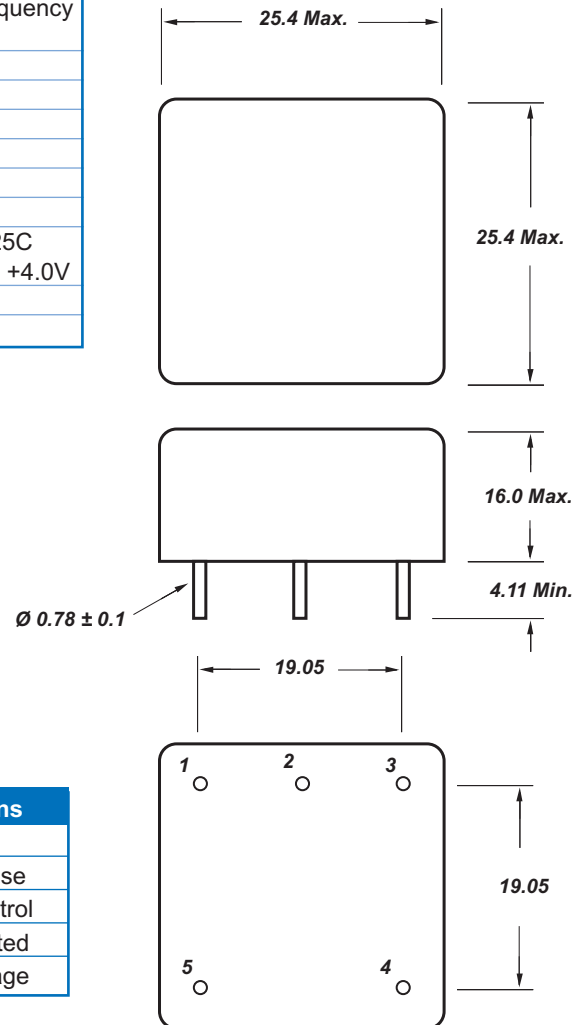
Model No. AOC-010-10.000

- Frequency 10MHz
- Temperature Stability +/-0.050ppm max. over -20 to +60C
- Short Term Stability +/-0.005ppm max. per day
- Low Phase Noise
- Low Harmonics



General Specifications	
Nominal Frequency	10MHz
Frequency Stability	
with Temperature	+/-0.05ppm max. over -20 to +60 w.r.t. nominal frequency at +25C
with Time (Long term)	+/-0.1ppm per year max. at +25C
with Time (Short term)	+/-0.005ppm max. per day
with Supply Voltage	+/-0.01ppm max. for a +/-5% change
with Load	+/-0.01ppm max. for a +/-5% change
Operating Temperature Range	-20 to +60C
Storage Temperature Range	-40 to +85C
Supply Voltage	+15.0V d.c. +/-5%
Supply Current	300mA max. at switch on (150mA max. steady state at +25C)
Warm up time	3 minutes to be within +/-0.05ppm of final frequency at +25C
Output Characteristics	
Waveform	Sinewave A.C. Coupled
Output Level	5dBm min.
Load Impedance	50 Ohms
Harmonics	-30dBc max.
Non-Harmonics	-80dBc max.
Frequency Adjustment Range	+/-0.5ppm min. w.r.t. nominal frequency at +25C via an external control voltage range of 0V to +4.0V
Dimensions	25.4 x 25.4 x 16.0 mm
RoHs Compliant	

Phase Noise Response	
Offset Frequency Hz	(dBc/Hz) typical
10	-110
100	-130
1K	-140
10K	-150
100K	-155
1M	-155



Pin Connections	
1	RF Out
2	Ground / Case
3	Voltage Control
4	Not Connected
5	Supply Voltage

We reserve the right to change standard product specifications without notice but will be pleased to consider control drawings for quotation.

Oscillators