

Model 1591 TNC Connectors Simplifies Test Setups

dc to 2.0 GHz
1 Watt



Features

- Miniature Size & Lightweight.
- 3-Port Cal Design for wireless communication test applications.

Specifications

NOMINAL IMPEDANCE: 50 Ω
FREQUENCY RANGE: dc to 2.0 GHz
MAXIMUM INPUT POWER: 2 watt CW, 500 watt pulse
PHYSICAL DIMENSIONS:

MAXIMUM SWR (Load Port):

| Frequency (GHz) | SWR |
|-----------------|------|
| dc - 1 | 1.05 |
| 1 - 2 | 1.35 |

MAXIMUM PHASE TRACKING (Short / Open):

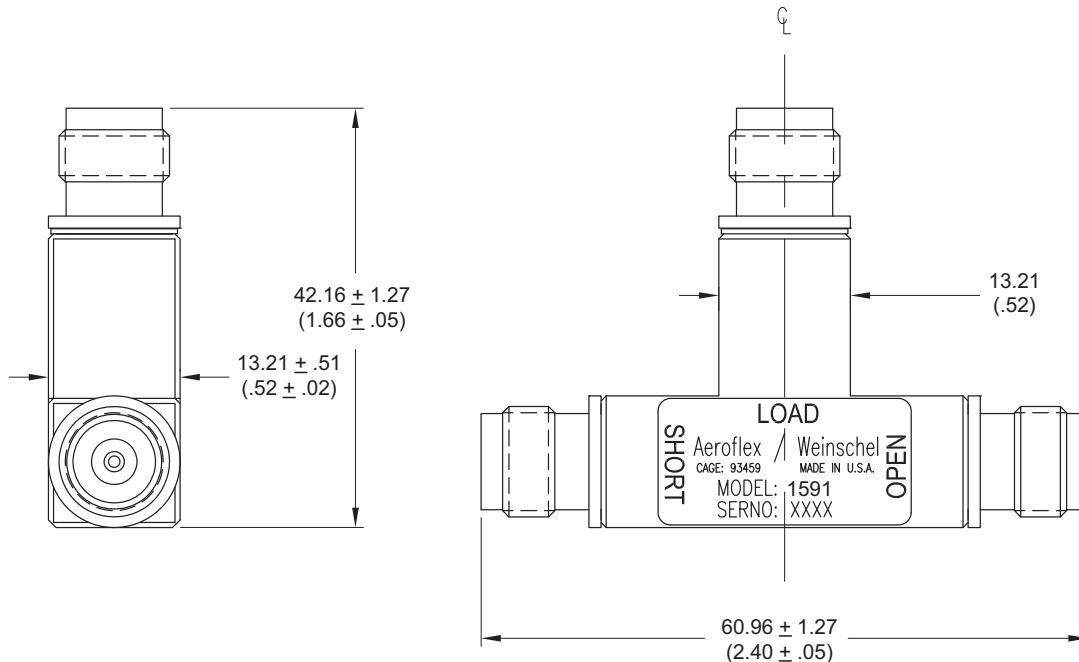
| Frequency (GHz) | Tracking ° |
|-----------------|------------|
| dc - 1 | 3° |
| 1 - 2 | 7° |

TEMPERATURE RANGE: -55°C to +125°C

CONSTRUCTION: Aluminum body and connectors; gold plated beryllium copper contacts.

TEST DATA: Test data can be provided at additional cost.

CONNECTORS: Female TNC connectors all ports-- - mate nondestructively with MIL-C-39012 connectors.



NOTE: All dimensions are given in mm (inches) and are maximum, unless otherwise specified