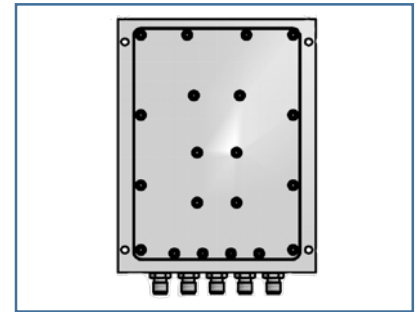


### Product Features

The P1dB SMA 4-Way power divider is designed to operate from 2 to 6 GHz and is optimized at 2.4 and 5 GHz WiFi bands. The 4-Way divider has SMA Female connectors and can handle power levels to 30 Watts. This SMA Divider is a good solution for a production test system that requires higher performance, such as isolation, across the 2.4 and 5 GHz WiFi bands.



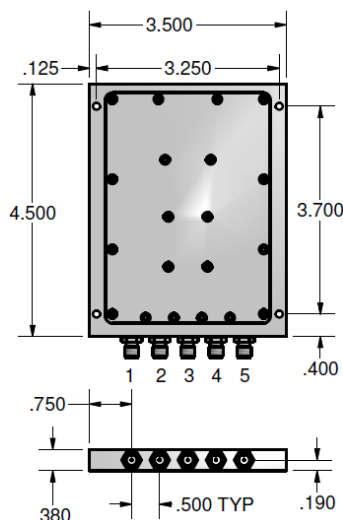
### Electrical Specification: $T_{Ambient} = 25^{\circ}C$

Parameter	Frequency Range	Units	Min	Typical	Max	Notes
Impedance	2 to 6 GHz	Ohms	—	50	—	
Insertion Loss	2 to 6 GHz	dB	—	—	0.7	
	2.4 to 2.5 GHz				1.1	
	4.9 to 5.9 GHz				1.3	
Isolation	2 to 6 GHz	dB	17	—	—	
	2.4 to 2.5 GHz		25			
	4.9 to 5.9 GHz		25			
Amplitude Imbalance	2 to 6 GHz	dB	0.4	—	—	
Phase Imbalance	2 to 6 GHz	Degs.	5	—	—	
VSWR	2 to 6 GHz	1:	—	—	1.3	
	2.4 to 2.5 GHz				1.2	
	4.9 to 5.9 GHz				1.2	
Average Power	DC to 50 GHz	Watts	—	—	30	Linearly derates to 10% at +100°C

### Mechanical Specification

Parameter	Description	Notes
Connector Type	SMA Female	
Connector Material and Plating	Nickel Plated Brass	
Contact Material and Plating	Gold Plated Beryllium Copper	
Housing	Aluminum	

### Drawing



Port	Operation
1	Output
2	Output
3	Input
4	Output
5	Output