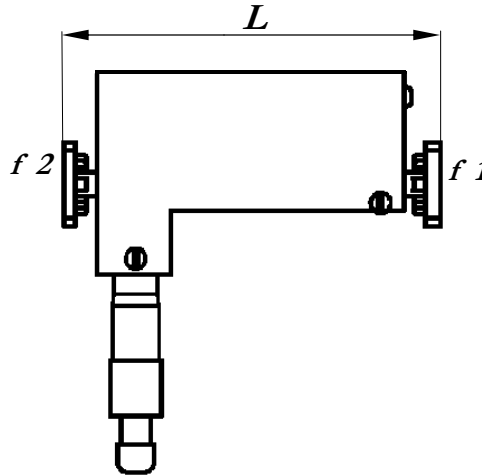
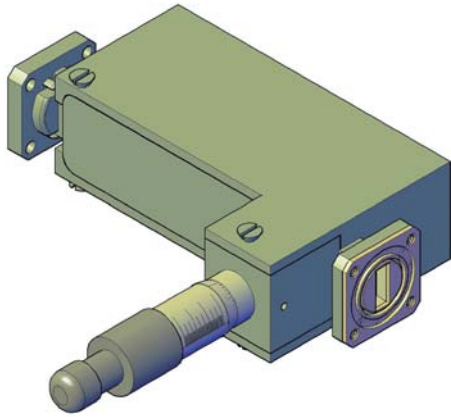


## Rectangular Waveguide Low Power Variable Attenuator



Model	WR #	Frequency (GHz)	L	Model	WR #	Frequency (GHz)	L
WAVL28-	28	26.50 - 40.00	4.00	WAVL102-	102	7.00 - 11.00	6.00
WAVL34-	34	22.00 - 33.00	4.00	WAVL112-	112	7.05 - 10.00	7.00
WAVL42-	42	18.00 - 26.50	4.00	WAVL137-	137	5.85 - 8.20	8.00
WAVL51-	51	15.00 - 22.00	5.00	WAVL159-	159	4.90 - 7.05	9.00
WAVL62-	62	12.40 - 18.00	5.00	WAVL187-	187	3.95 - 5.85	10.00
WAVL75-	75	10.00 - 15.00	6.00	WAVL229-	229	3.30 - 4.90	12.00
WAVL90-	90	8.20 - 12.40	6.00	WAVL284-	284	2.60 - 3.95	12.00

Space Machine offers a standard product line of low power variable attenuators covering waveguide sizes WR28 thru WR284. Attenuation will range from 0 – 30dB while flatness is held to  $\pm 1.5$ dB. VSWR is held to 1.10:1 maximum over the full waveguide band. Additional sizes and configurations are available upon request. Maximum power rating for all sizes is 1 watt average.

### Ordering Information:

Waveguide Low Power Variable Attenuator,  
WR112, Bronze, Cover / Choke Flanges,  
Chromated, Paint Space Machine Gray.

Example part number:

**WAVL** **wr** **-m** **f1 f2** **-p** **f**  
WAVL 112 -B -01 02 -C P

Series (WAVL):

Waveguide Size (wr): WR28 thru WR284

Material (-m): A – Aluminum, B – Bronze, C – OFHC Copper, O – Other

Flange (f1 f2): See [Appendix G](#)

Plating (-p): C – Chromate, S – Silver, G – Gold, O – Other, N – None

Finish (f): P – Paint Space Machine Gray, N – None, O – Other