



EUROPEAN ANTENNAS

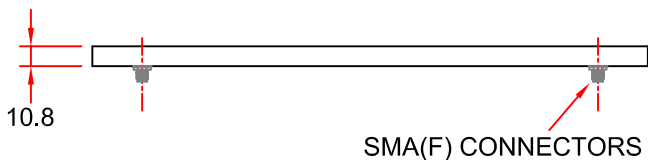
Excellence through design
Creative in concept



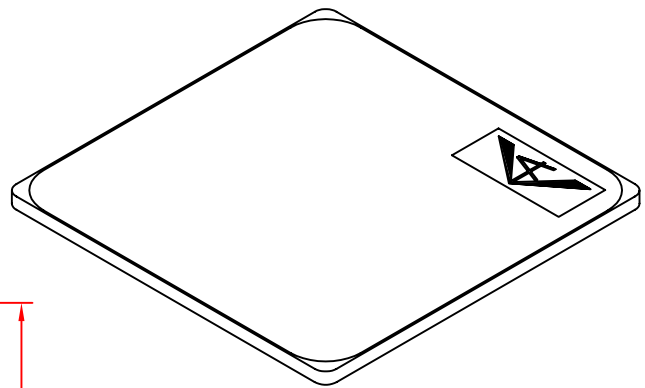
FLAT PANEL ANTENNA

MODEL: FPA19-26VH/641

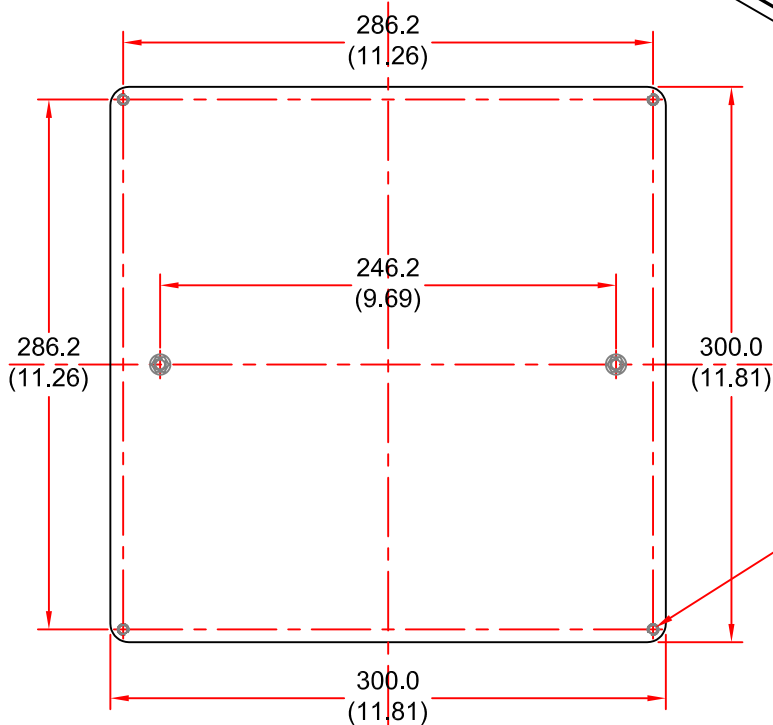
FREQUENCY:	2.5 - 2.7 GHz	GAIN:	18 dBi
POLARISATION:	Vertical & Horizontal	BEAMWIDTH:	20° (Azimuth) x 20° (Elevation)
CROSS POLAR:	20 dB min	VSWR:	1.5:1
POWER RATING:	20 W	FRONT TO BACK:	30 dB
TEMPERATURE:	-20 to +50°C	MASS:	1005 g / 2.2 lbs
RADOME:	Glass Fibre / Gloss White	WIND LOADING:	14.60 Kg/32.12 lbs @ 100mph



SIDE VIEW



ISOMETRIC VIEW



REAR VIEW

4 OFF MOUNTING HOLES
M6 x 8 DEEP

DIMENSIONS: mm (inches)

GA 641-2 Issued 180504

EUROPEAN ANTENNAS LTD.

TEL: +44 (0)1638 731888
FAX: +44 (0)1638 731999

LAMBDA HOUSE, CHEVELEY,
NEWMARKET, SUFFOLK, CB8 9RG,
UNITED KINGDOM.

E-Mail: sales@european-antennas.co.uk
Website: www.european-antennas.co.uk