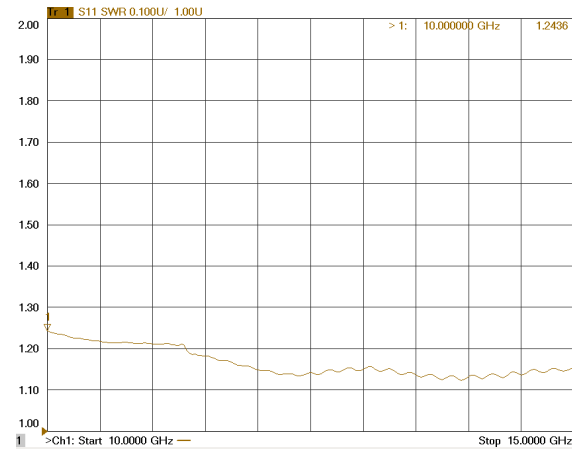
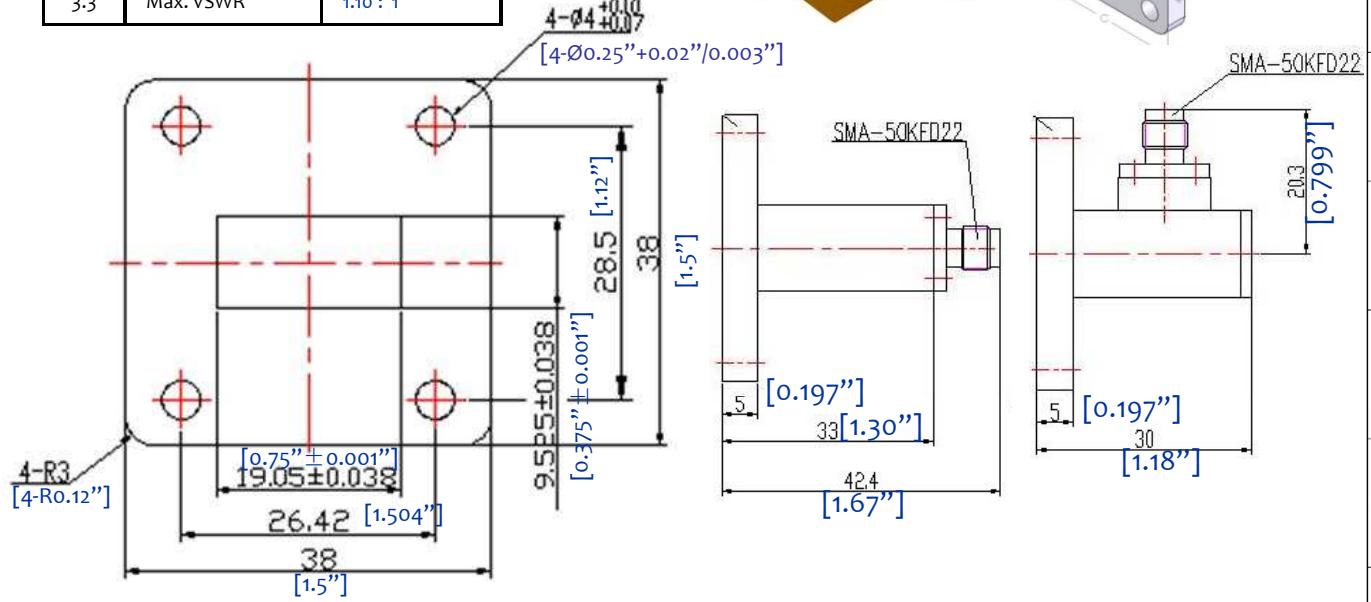
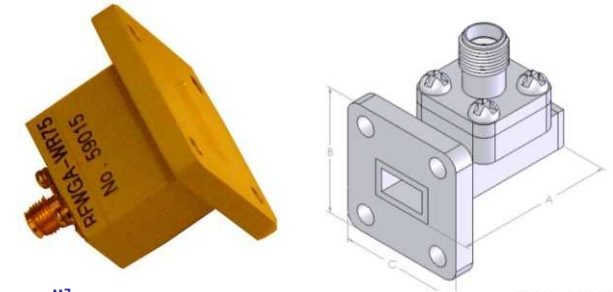


WAVEGUIDE TO COAXIAL ADAPTER --- RFWA75

1.0 Mechanical Specifications		
1.1	Waveguide type	Rectangular Waveguide WR75
1.2	Flange type	CPRG, CPRF, COVER, CHOKE available
1.3	Flange Holes	Through
1.4	Basis-material	Aluminum, Brass, Alloyed Cuprum, Stainless
1.5	Coaxial Connector	SMA, N, TNC (Male or Female)
1.6	Internal Body Finish	Silver Plated chromate or conversion
1.7	External Body Finish	Body painted with gray/black epoxy enamel

2.0 Environment specifications		
2.1	Operation Temp.	-40°C~+85°C
2.2	Storage Temp.	-50°C~+125°C
2.3	Altitude	45000 ft
2.4	Vibration	10g rms (15 degree 2KHz)
2.5	Humidity	100% RH at 35c, 95%RH at 40 deg c
2.6	Shock	20G for 11msc

3.0 Electrical Specifications		
3.1	Frequency Range	10.0 ~ 15.0GHz
3.2	Insertion Loss	0.15dB
3.3	Max. VSWR	1.10 : 1



Part Number: RF WA 75 A O CF AL

RF-Lambda _____
 Waveguide _____
 Adapter _____
 Waveguide Type Number _____

Connector Type: A=SMA, B=N, C=TNC, D=7/16

Degree: 9=90° or 0=0°

Flange Type: CG=CPRG; CF=CPRF; CO=COVER; CK=CHOKE

Material: AL=Aluminum; BS=Brass; AC=Alloyed Cuprum; SS=Stainless

PAGE 1 OF 1	DATE Nov 5 th 2004
PROPRIETARY INFORMATION THE INFORMATION CONTAINED IN THIS DOCUMENT IS THE PROPERTY OF RF-LAMBDA EXCEPT AS SPECIFICALLY AUTHORIZED IN WRITING BY RF-LAMBDA. THE HOLDER OF THIS DOCUMENT SHALL KEEP ALL INFORMATION CONTAINED HEREIN CONFIDENTIAL AND SHALL PROTECT SAME IN THE WHOLE OR IN PART FROM DISCLOSURE AND DISSEMINATION OF ALL THIRD PARTIES AND SHALL USE SAME FOR OPERATING AND MAINTENANCE PURPOSES ONLY.	DESIGN RFPC
	RF-LAMBDA RFPC
	CAD MODEL REVISION 19
	ASSEMBLY REVISION V552
RFWA75 WAVEGUIDE TO COAXIAL ADAPTER	
ASSEMBLY NAME RFLVR17 DRAWING NUMBER D05-1	
www.rflambda.com	
RF-LAMBDA	SIZE LT SHEETS 1 OF 1