



EUROPEAN ANTENNAS

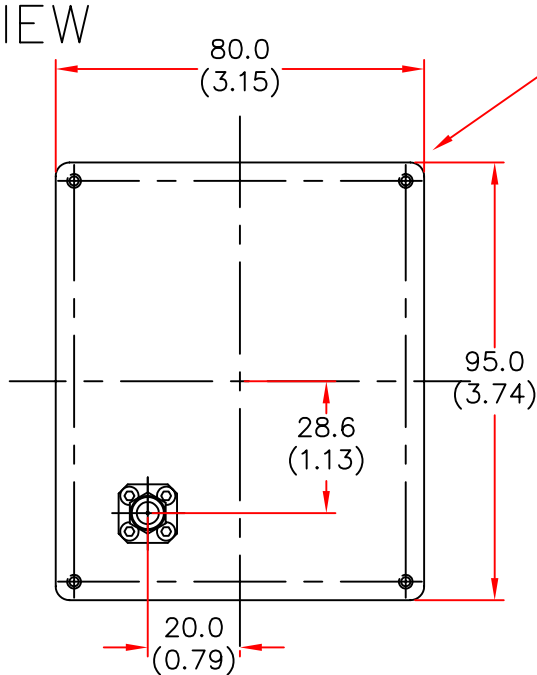


FLAT PANEL ANTENNA

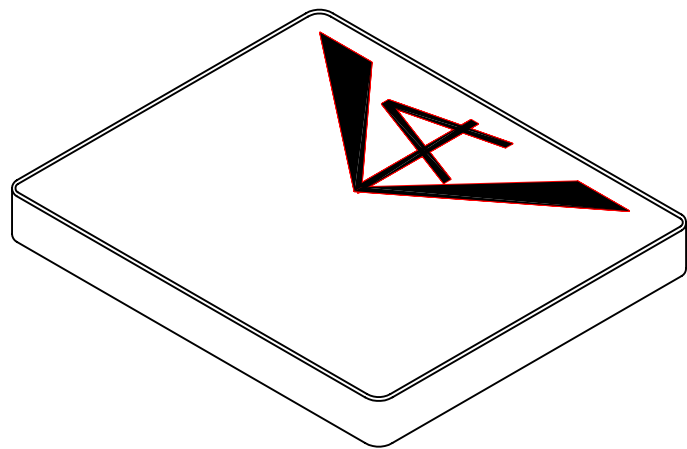
MODEL: FPA16-100V-D1/152

FREQUENCY: 9.60 – 10.20 GHz	GAIN: 16 dBi
POLARISATION: Linear (Vertical)	BEAMWIDTH: 30° x 30°
CROSS POLAR: 20 dB	VSWR: 1.5 : 1
POWER RATING: 10 W	FRONT TO BACK: 25 dB
TEMPERATURE: -20°C to +50°C	MASS: 200 g/7 oz
RADOME: Dark Brown	WIND LOADING: 1.2Kg/2.7lbs@100mph

REAR
VIEW

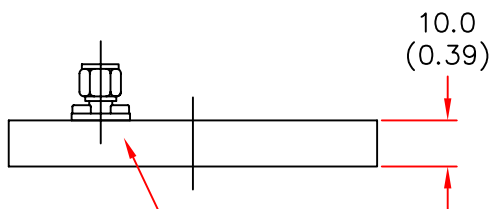


4 x M3.0 x 5.0 DEEP HOLES
ON 72.0 x 87.0 CTRS



ISOMETRIC VIEW

END
VIEW



SMA(M) CONNECTOR
ON REAR

DIMENSIONS: mm (inches)

GA 152-2 ISSUE 280403

EUROPEAN ANTENNAS LTD.

TEL: +44 (0)1638 731888

LAMBDA HOUSE, CHEVELEY,
NEWMARKET, SUFFOLK, CB8 9RG,
UNITED KINGDOM.

FAX: +44 (0)1638 731999

European Antennas Ltd. has a policy of continuous development and therefore stress that the data contained on this sheet should be used for guidance only.