

TERMINATION 6GHZ N-MALE

STN0610

SPECIFICATIONS

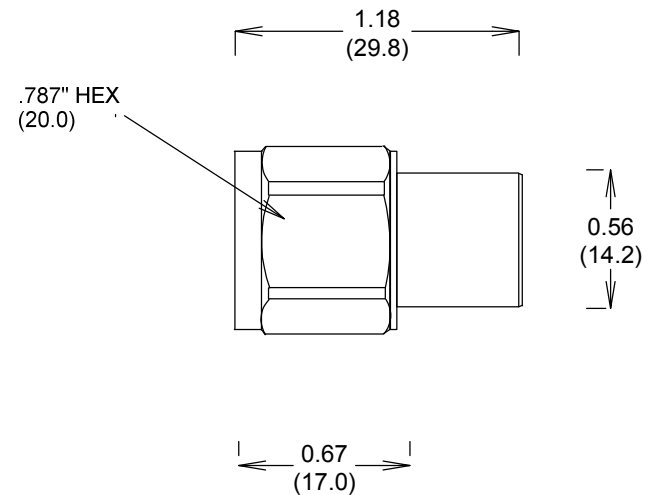
ELECTRICAL:

FREQUENCY: 0-6 GHZ
VSWR @ 6 GHZ: 1.2:1 MAX
POWER (AVG) 2 WATTS @ 25 DEG C
POWER (PEAK) 1KW/50 MICRO-S
IMPEDANCE: 50 OHMS
OP. TEMP RANGE: -55C- +125C

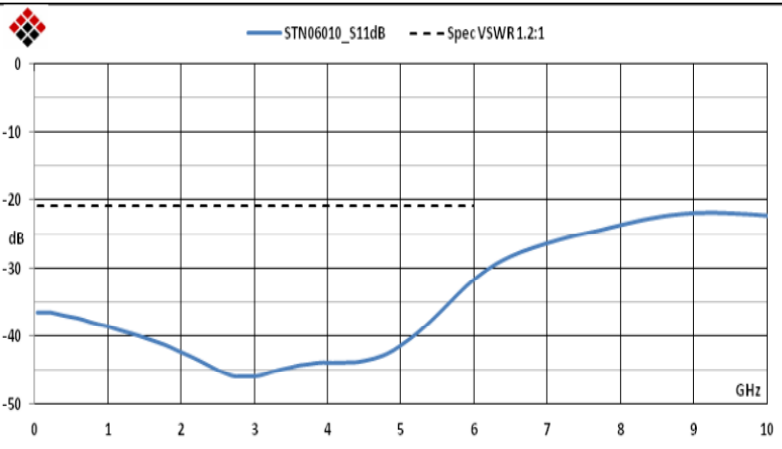
MECHANICAL:

MATERIAL BODY: BRASS
BODY PLATING : TRIMETAL (TIN/ZINC/COPPER)
CENTER CONTACT: GOLD PLATED PER 30 μ -in
RESISTIVE ELEMENT: THIN FILM ON ALUMINA SUBSTRATE
INTERFACE: MIL-STD-883

ROHS COMPLIANT



MEASUREMENTS BELOW ARE TYPICAL



ALL DIMENSIONS IN inches(MM) Typical

FAIRVIEW MICROWAVE INC.

ALLEN, TX 75013 WWW.FAIRVIEWMICROWAVE.COM

TITLE

TERMINATION 6GHZ N-MALE

SIZE	CAGE CODE	DWG NO	REV
A	3FKR5	STN0610	B

SCALE

SHEET