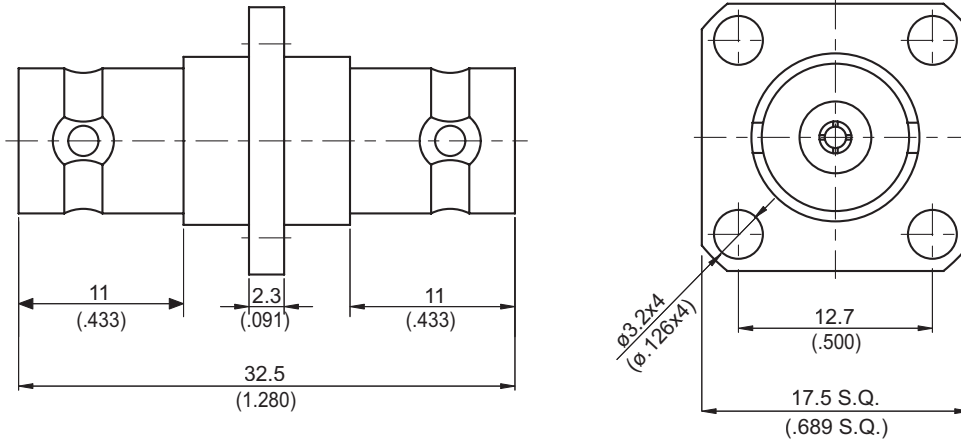
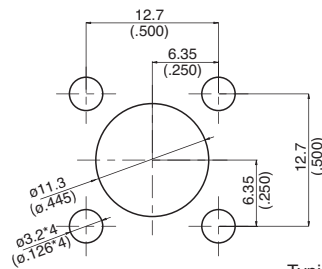


AD-B8B8-P4-75

BNC Jack To BNC Jack For Panel Receptacle 75Ω



MOUNTING HOLE :



Typical VSWR

Part Number	1 Ghz	2 Ghz	3 Ghz
AD-B8B8-P4-75	1.15	1.15	1.15

Parts	Material	Plating (Micro-inch)
Contact Pin	Phosphor Bronze	Gold 10 Over Nickel 50 Over Copper 50
Insulator	Teflon	
Body	Brass	Tin-Zinc-Copper-Alloy 100 Over Copper 50

Weight: 13.38 g

This part number complies with RoHS.

Notice: JYEBAO reserves the right to make modifications deemed appropriate.