

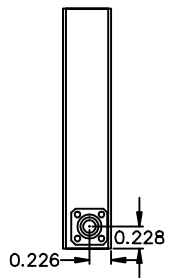
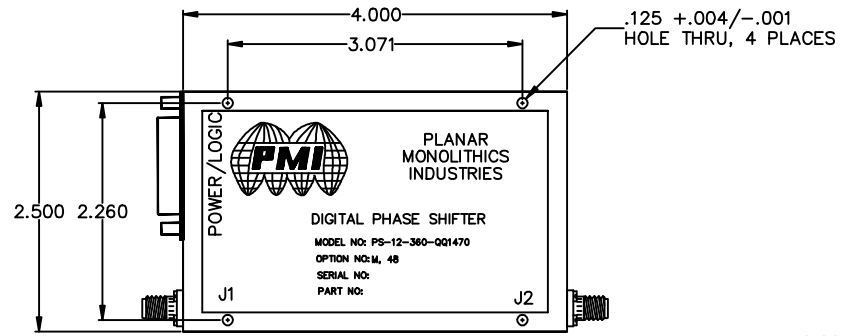
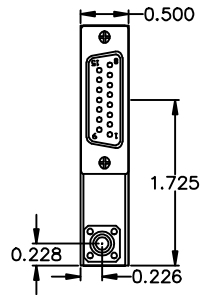
DESCRIPTION

PMI MODEL NUMBER PS-12-360-QQ1470 IS A 5.4 TO 5.9GHZ DIGITALLY CONTROLLED ANALOG PHASE SHIFTER WITH CAPABILITY FOR PHASE SHIFTING FROM 0 TO 360°. THE UNIT CONSISTS OF AN ANALOG PHASE SHIFTER AND A DIGITAL-TO-ANALOG CONVERTER. EIGHT LOGIC INPUT LINES ALLOW 256 DISCRETE VALUES OF PHASE.

REVISIONS				
ZONE	REV.	DESCRIPTION	DATE	APPROVED
	-	ORIGINAL RELEASE	04/28/08	

SPECIFICATIONS

- FREQUENCY RANGE 5.4 TO 5.9 GHz (AVAILABLE UP TO 18 GHz)
- RF IMPEDANCE -(NOMINAL) 50 OHMS
- VOLTAGE +15V @ 90 mA
-15V @ 60 mA
- LOGIC INPUT TTL CONTROL
- PHASE SHIFT (MIN) 360°
- STEP SIZE (LSB) 1.41° LSB
- INSERTION LOSS (MAX) 6.0 dB MAX
- AMPLITUDE RIPPLE MAX ±1.50 DB
- VSWR MAX 2.0 TO 1 MAX INPUT AND OUTPUT
- SWITCHING SPEED 200 NS
- TEMPERATURE COMPENSATION: MAXIMUM PHASE DRIFT SHALL BE NO MORE THAN ±5° OR ±5%, WHICHEVER IS GREATER, OVER THE SPECIFIED TEMPERATURE RANGE
- MONOTONICITY GUARANTEED
- RF POWER (OPERATING)
PEAK OR CONTINUOUS WAVE ... 10 mW
- CONNECTORS
- RF INPUT/OUTPUT SMA FEMALE
- POWER AND CONTROLS MALE 15 PIN SUBMINIATURE "D" CONNECTOR
- SIZE 4.0 x 2.50 x 0.50



ENVIRONMENTAL RATINGS

- TEMPERATURE -40° C TO +85° C (OPERATING)
-40° C TO +100° C (STORAGE)
- HUMIDITY MIL-STD-202F, METHOD 103B COND. B
- SHOCK MIL-STD-202F, METHOD 213B COND. B
- VIBRATION MIL-STD-202F, METHOD 204D COND. B
- ALTITUDE MIL-STD-202F, METHOD 105C COND. B
- TEMPERATURE CYCLE MIL-STD-202F, METHOD 107D COND. A

NOTE: THE ABOVE SPECIFICATIONS ARE SUBJECT TO CHANGE OR REVISION

ELECTRICAL CONNECTOR PIN ASSIGNMENTS		
PIN LETTER	FUNCTION	
1	LOGIC INPUTS <LSB>	1.41°
2	LOGIC INPUTS	2.8°
3	LOGIC INPUTS	5.6°
4	LOGIC INPUTS	11.25°
5	LOGIC INPUTS	22.5°
6	LOGIC INPUTS	45°
7	LOGIC INPUTS	90°
8	LOGIC INPUTS <MSB>	180°
9	NC	
10	NC	
11	NC	
12	NC	
13	+ 15 VDC	
14	- 15 VDC	
15	GROUND	

PRELIMINARY

- NOTES:
 1) DIMENSIONS ARE IN INCHES
 2) TOLERANCES: X.XX ±0.020
 X.XXX ±0.010

PLANAR MONOLITHICS INDUSTRIES, INC.
 7311-F GROVE ROAD
 FREDERICK, MARYLAND 21704 USA
 TEL: 301-662-5019 FAX: 301-662-1731
 WEBSITE: www.planarmonolithicsindustries.com
 E-MAIL: sales@planarmonolithics.com
 ISO 9001:2000 CERTIFIED



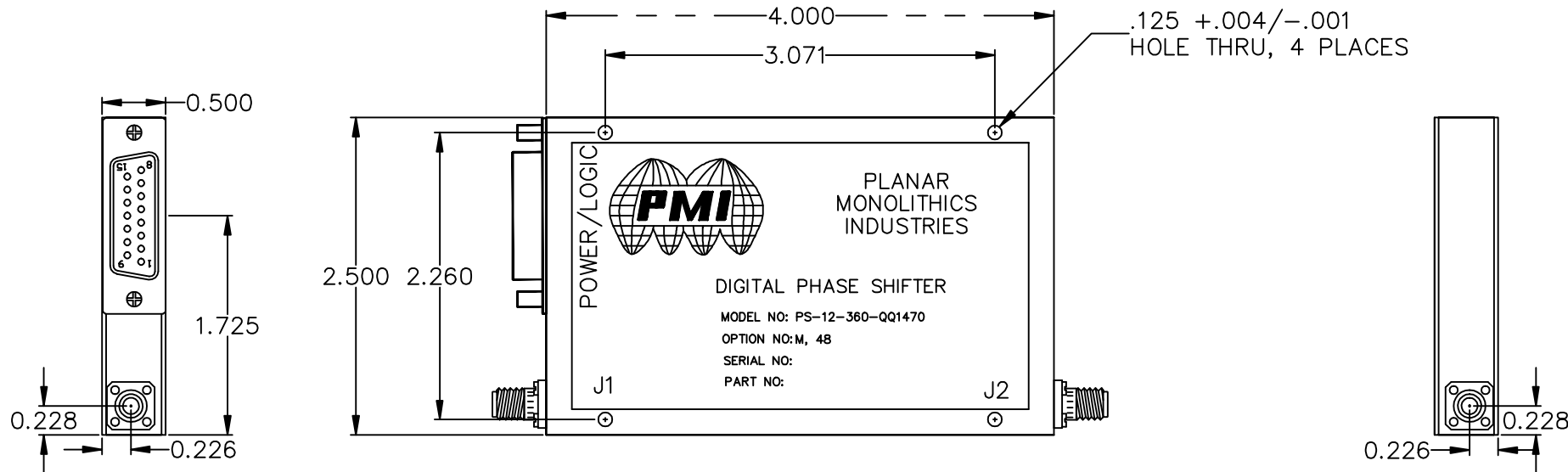
APPROVALS		DATE		TITLE	
DRAWN <i>PMV</i>		04/28/08		PRODUCT FEATURE	
CHECKED				PS-12-360-QQ1470	
ISSUED				5.4-5.9GHz, 0-360° PHASE SHIFTER	
SIZE	FSCM NO.	DWG NO.	REV.		
A	OZXZ8	27308560	-		
SCALE N: S				SHEET 1 of 3	

DESCRIPTION

PMI MODEL NUMBER PS-12-360-QQ1470 IS A 5.4 TO 5.9GHZ DIGITALLY CONTROLLED ANALOG PHASE SHIFTER WITH CAPABILITY FOR PHASE SHIFTING FROM 0 TO 360°. THE UNIT CONSISTS OF AN ANALOG PHASE SHIFTER AND A DIGITAL-TO-ANALOG CONVERTER. EIGHT LOGIC INPUT LINES ALLOW 256 DISCRETE VALUES OF PHASE.

REVISIONS				
ZONE	REV.	DESCRIPTION	DATE	APPROVED
	-	ORIGINAL RELEASE	04/28/08	

MECHANICAL OUTLINE



ELECTRICAL CONNECTOR PIN ASSIGNMENTS		
PIN LETTER	FUNCTION	
1	LOGIC INPUTS (LSB)	1.41°
2	LOGIC INPUTS	2.8°
3	LOGIC INPUTS	5.6°
4	LOGIC INPUTS	11.25°
5	LOGIC INPUTS	22.5°
6	LOGIC INPUTS	45°
7	LOGIC INPUTS	90°
8	LOGIC INPUTS (MSB)	180°
9	NC	
10	NC	
11	NC	
12	NC	
13	+ 15 VDC	
14	- 15 VDC	
15	GROUND	

ALL DIMENSIONS ARE IN INCHES
 TOLERANCES:
 X.XX ±0.020
 X.XXX ±0.010

PRELIMINARY

PLANAR MONOLITHICS INDUSTRIES, INC.

7311-F GROVE ROAD
 FREDERICK, MARYLAND 21704 USA
 TEL: 301-662-5019 FAX: 301-662-1731
 WEBSITE: www.planarmonolithicsindustries.com
 E-MAIL: sales@planarmonolithics.com
 ISO 9001:2000 CERTIFIED



APPROVALS		DATE	TITLE			REV.
DRAWN <i>P.M.V.</i>		04/28/08	MECHANICAL OUTLINE			-
CHECKED			PS-12-360-QQ1470			
ISSUED			5.4-5.9GHz, 0-360° PHASE SHIFTER			
SIZE	FSCM NO.	DWG NO.				
A	OZXZ8	27308560				
SCALE N: S		SHEET		2 OF 3		