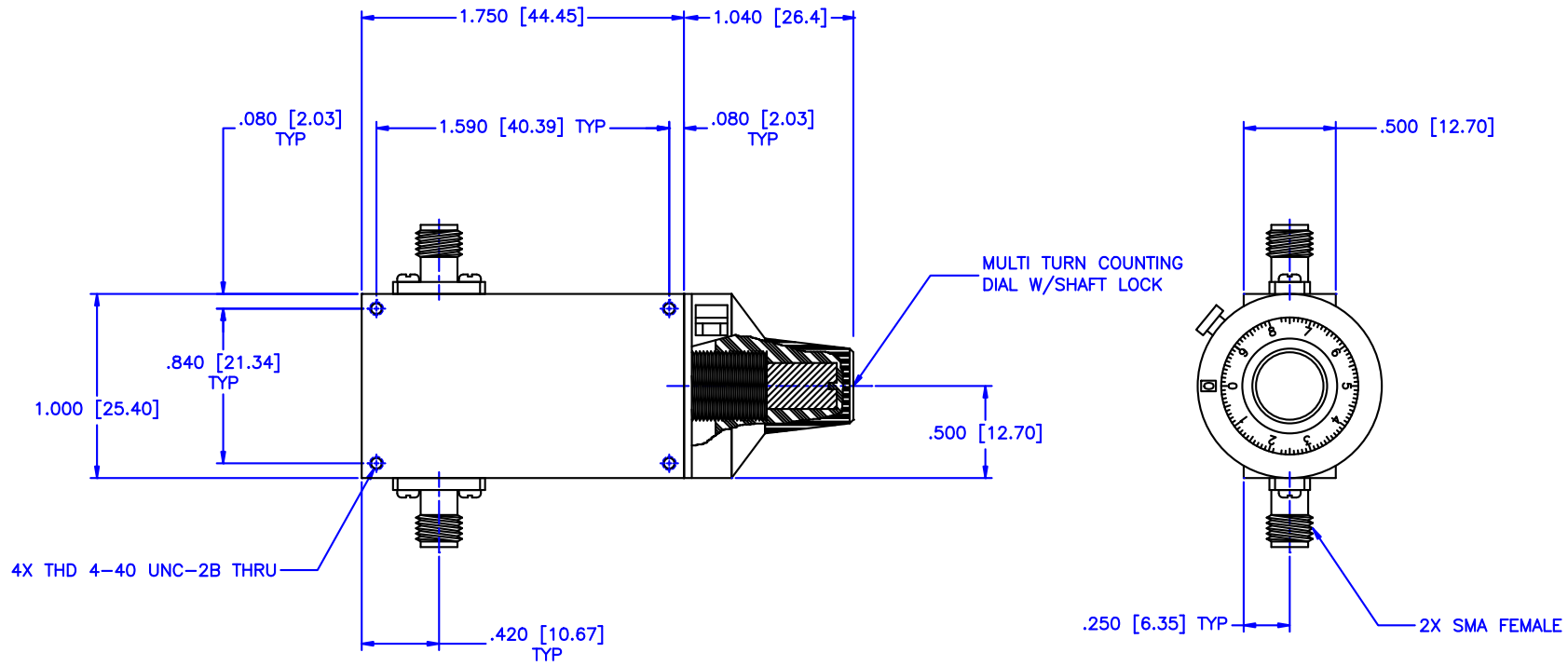


REVISIONS				
ZONE	REV	DESCRIPTION	DATE	APPROVED



Specifications

Frequency Range: 8–18 GHz
 Attenuation: 30 dB
 Insertion Loss: 0.5dB Max.
 VSWR: 1.50:1 Max.
 RF Power: 7W Average / 3kW Peak

Environmental

Temperature range: -55°C to +110°C
 Shock: 15 G's, 11ms, 1/2 sine
 Vibration: 3 G's overall
 Altitude: 40,000 ft. Survival 25,000ft Operating

MATERIAL:		MCLI MICROWAVE COMMUNICATIONS LABORATORIES INC. 7255 30TH AVE. N. SAINT PETERSBURG, FL 33710 TEL: (727) 344-6254 FAX: (727) 381-6116 http://WWW.MCLI.COM	SCALE:		N/A
			SHEET:		N/A
UNLESS OTHERWISE SPECIFIED: TOLERANCES IN (INCHES) OR [mm] (MILLIMETERS) FRACTIONS: ± 1/64 DECIMALS: ± 0.015 ANGLE: ± 1/2°		DRAWING TITLE: CONTINUOUSLY VARIABLE ATTENUATOR WITH DIAL			
DRAWN: Paiboon Luekhamhan		DATE: 11-23-2011		PART NO. CVA13-30/D	
APPROVED: T. Nguyen		DATE: 11-23-2011		CAGE CODE: OD2L5	SIZE: A REV: N/A DWG NO. 85940
PROPRIETARY NOTICE: THE INFORMATION IN THIS DRAWING IS PROPRIETARY AND SHALL NOT BE USED OR DISCLOSED WITHOUT WRITTEN PERMISSION FROM MICROWAVE COMMUNICATIONS LABORATORIES INC. (MCLI)		THIRD ANGLE PROJECTION 			
DO NOT SCALE THE DRAWING					