

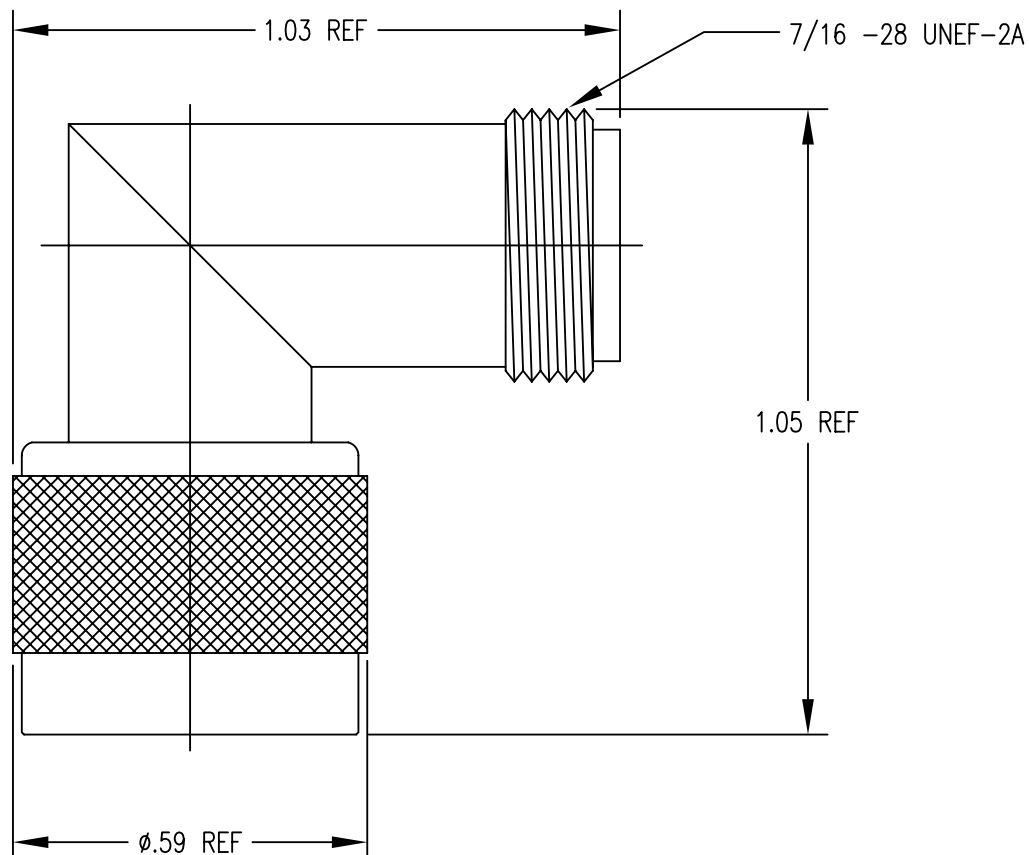
- 1.0 PERFORMANCE
 1.1 FREQUENCY RANGE: DC-11GHz
 1.2 VOLTAGE RATING: 500V RMS (sea level)
 1.3 NOMINAL IMPEDANCE: 50 OHMS
 1.4 DWV: 1500 V RMS @ 60 Hz (sea level)
 1.5 TEMPERATURE RANGE: -65°C TO +165°C

- 2.0 MATERIALS
 2.1 DIELECTRIC: TEFLON, ASTM-D-1710
 2.2 CENTER CONTACT: BERYLLIUM COPPER ASTM-B-196
 2.3 LOCKING RING: PHOSPHOR BRONZE, ASTM-B-159, ALLOY 510
 2.4 ALL OTHER METAL PARTS: BRASS PER ASTM-B-16
 2.5 GASKET: SILICON RUBBER, ZZ-R-765, GR. 50, RED
 3.0 FINISHES: SEE TABLE
 4.0 MECHANICAL
 4.1 INTERFACE: IN ACCORDANCE WITH MIL-STD-348

DWG NO. OL-0510-02-1 REV. A

PLATING VARIATIONS		
PART NUMBER	BODY	CONTACT
0510-02	NICKEL	GOLD
0510-02-NS	NICKEL	SILVER

DO NOT SCALE DRAWING



THIS DRAWING CONTAINS CONFIDENTIAL INFORMATION PROPRIETARY TO SAN-TRON INC. IT MUST NOT BE REPRODUCED OR DISCLOSED TO OTHERS OR USED IN ANY OTHER WAY, IN WHOLE OR PART EXCEPT AS AUTHORIZED IN WRITING BY SAN-TRON INCORPORATED.

UNLESS OTHERWISE SPECIFIED:
 ALL DIMENSIONS ARE IN INCHES.
 ALL DIMENSIONS ARE AFTER PLATING.
 .XXX= ±.005 ALL MACHINED SURFACES ⁶³√ MAX.
 .XX= ±.01 ANG.±1/2° FRACTIONAL= ±1/64
 ◎.004 MAX. TIR. ⊥ AXIS .001



SAN-TRON, INC.

4 NEWBURYPORT TPK. IPSWICH MA USA 01938
 TEL: 978 - 356 -1585 FAX: 978 - 356 -1573
 WWW.santron.com E MAIL: santron@santron.com

TITLE ADAPTER, RIGHT ANGLE, TNC, M/F
 TNC-A-RA

MATERIAL: SEE NOTE 2.0 FINISH: SEE TABLE

Rev. A ORIGINAL: 1-21-1992 NEW 11/19/03

Revisions Disp. Date Dwn. Appd.

REMOVE ALL BURRS AND SHARP EDGES .005 MAX. INTERPRET PER ASME Y14.5M-1994

THIRD ANGLE PROJECTION
 DWN FSH 11/19/03
 CHKD SJS 11/19/03
 APPR FSH 11/19/03

CAGE CODE: 50896 DWG NO. OL-0510-02-1 REV. A
 SCALE N/A