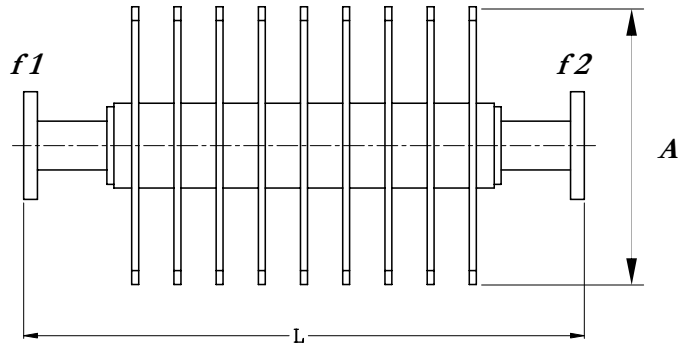
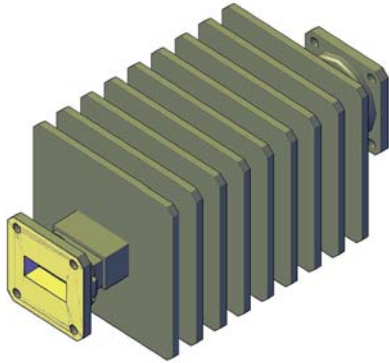


Rectangular Waveguide High Power Fixed Attenuator



Model	WR #	Frequency (GHz)	Length (L)		A	Max Avg Power (Watts)	Model	WR #	Frequency (GHz)	Length (L)		A	Max Avg Power (Watts)
			UP TO 10 dB	UP TO 30 dB						UP TO 10 dB	UP TO 30 dB		
WAFH28-	28	26.50 - 40.00	6.00	12.00	3.00	200	WAFH102-	102	7.00 - 11.00	8.50	21.00	4.00	750
WAFH42-	42	18.00 - 26.50	6.00	12.00	3.00	350	WAFH112-	112	7.05 - 10.00	9.00	22.00	5.00	850
WAFH51-	51	15.00 - 22.00	6.50	13.00	3.00	400	WAFH137-	137	5.85 - 8.20	10.00	24.00	5.00	1000
WAFH62-	62	12.40 - 18.00	7.00	18.00	3.00	500	WAFH159-	159	4.90 - 7.05	11.00	26.00	6.00	1250
WAFH75-	75	10.00 - 15.00	8.00	18.00	3.00	550	WAFH187-	187	3.95 - 5.85	13.00	28.00	6.00	1500
WAFH90-	90	8.20 - 12.40	8.00	20.00	4.00	700	WAFH229-	229	3.30 - 4.90	14.00	30.00	8.00	1650
							WAFH284-	284	2.60 - 3.95	15.00	32.00	8.00	2000

Space Machine offers a standard product line of high power fixed attenuators covering waveguide sizes WR28 thru WR284. VSWR is 1.15:1. Flatness is held to ± 1.0 dB maximum over the full waveguide band. Additional sizes and configurations are available upon request.

Ordering Information:

Waveguide High Power Fixed Attenuator, WR112, 10dB Attenuation, Bronze, Cover / Cover Flanges, Chromated, Paint Heat Resistant Flat Black.

Example part number:

WAFH **wr** **-a** **m** **f1 f2** **-p** **f**
WAFH 112 -10 B 01 01 -C O

Series (WAFH):

Waveguide Size (wr): WR28 thru WR284

Attenuation (-a): 3 – 30 dB

Material (-m): A – Aluminum, B – Bronze, C – OFHC Copper, O – Other

Flange (f1 f2): See [Appendix G](#)

Plating (-p): C – Chromate

Finish (f): N – None, O – Heat Resistant Flat Black