

Microstrip Circulator

Part Number: KTMC-3002A

Main Features:

- Frequency Range: 34.4GHz - 35.6GHz
- Small Size, Low Profile, Compact Design
- High Isolation, Low Insertion Loss
- Wide Operating Temperature : -40°C~+75°C
- Commercial, Military and Space Applications

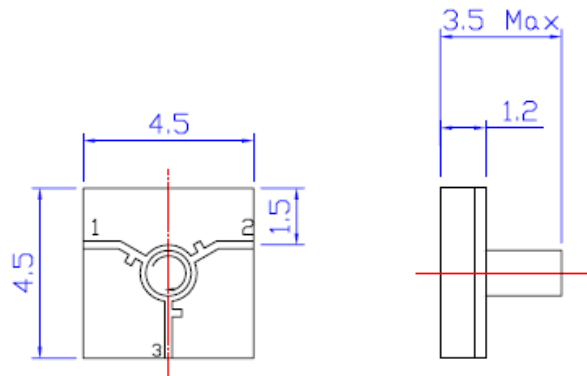
Electrical Specifications at Room Temperature:

Part Number	Freq. Range (GHz)	Bandwidth Max. (MHz)	Insertion Loss Max. (dB)	Isolation Min. (dB)	VSWR Max.	Forward Power (W)	Dimension (mm)
KTMC-3002A	34.4 - 35.6	full	1.2	16	1.40	5	4.5*4.5*3.5

Electrical Specifications -40°C~+75°C at Temperature:

Part Number	Freq. Range (GHz)	Bandwidth Max. (MHz)	Insertion Loss Max. (dB)	Isolation Min. (dB)	VSWR Max.	Forward Power (W)	Dimension (mm)
KTMC-3002A	34.4 - 35.6	full	1.2	15	1.50	5	4.5*4.5*3.5

Mechanical Dimensions (mm):



HOW TO ORDER

