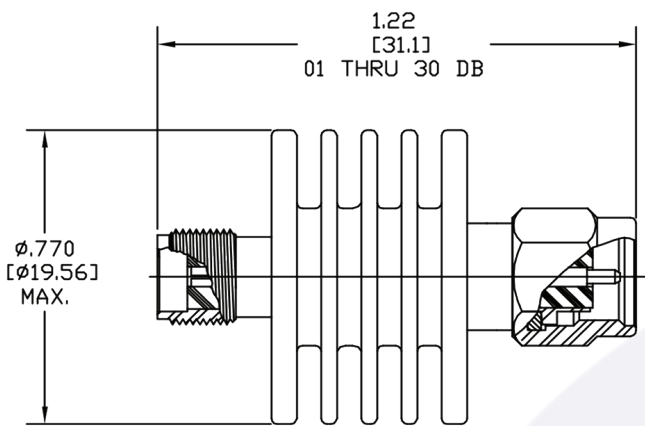




SMA 5 Watt Attenuators • Male to Female • DC - 18 GHz

Part #HA18A5W-XX**

**Replace XX with dB Value



Electrical

- **Frequency Range** DC - 18 GHz
- **Attenuation (dB)** DC-18 GHz

1 - 6	± 0.30
7-12, 15, 20	± 0.50
30	± 0.75
40	± 1.25
- **VSWR** DC - 4 GHz 1.15
4 - 12 GHz..... 1.25
12.4 - 18 GHz.... 1.35
- **Impedence** 50 Ohms
- **RF Power Nominal** 5 Watts @ 25°C
Derates linearly from 25°C to 10% @ ± 125°C
- **RF Power Peak** 500 Watts
- **Temperature Range** -65°C - +125°C

Materials

- **Housing** Aluminum (May be one of several QQ-A-XXX or ASTM Standards)
- **Dielectric** Teflon per ASTM D1710
- **Center Conductor** Beryllium Copper per QQ-C-530, ASTM B196
ASTM-B197 Alloys C17200 or C17300 per MIL-PRF-39012, Gold Plated IAW MIL-PRF-39012
- **Outer Conductor** Stainless Steel, Corrosion Resistant per ASTM A484 & A582, Class 303, Cond. A. Passivated Per ASTM A380
- **Resistor Substrate** AlN or Aluminum Oxide. Resistor: Proprietary Thin Film Hybrid with Protective SiO Coating