



RF-LAMBDA

The power beyond expectations

RFLT4W0502G



Wide Band Power Divider

Very small package

Excellent phase and amplitude balance

Bi-Directional as divider and combiner *

Low Insertion loss and high isolation

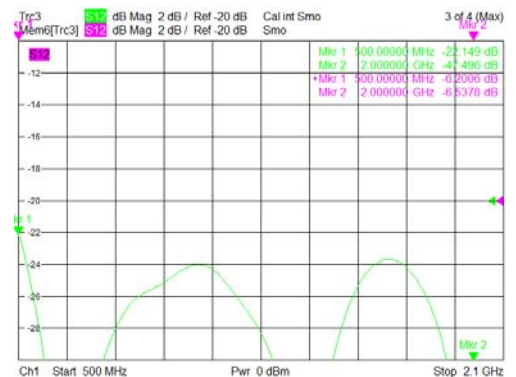
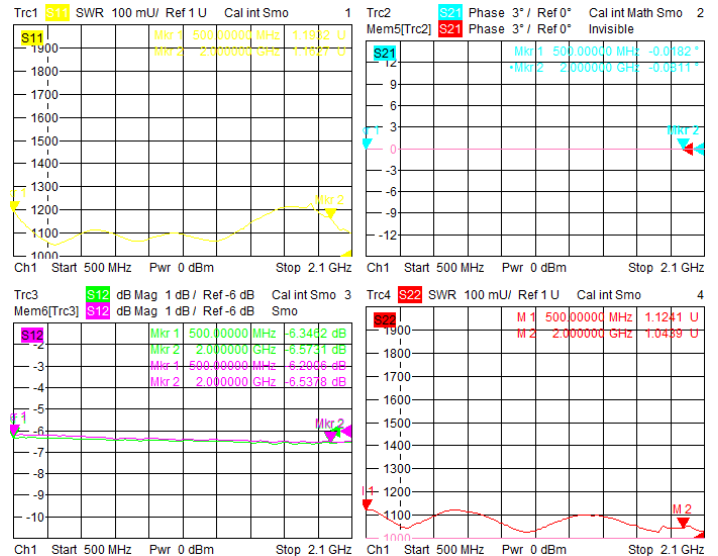
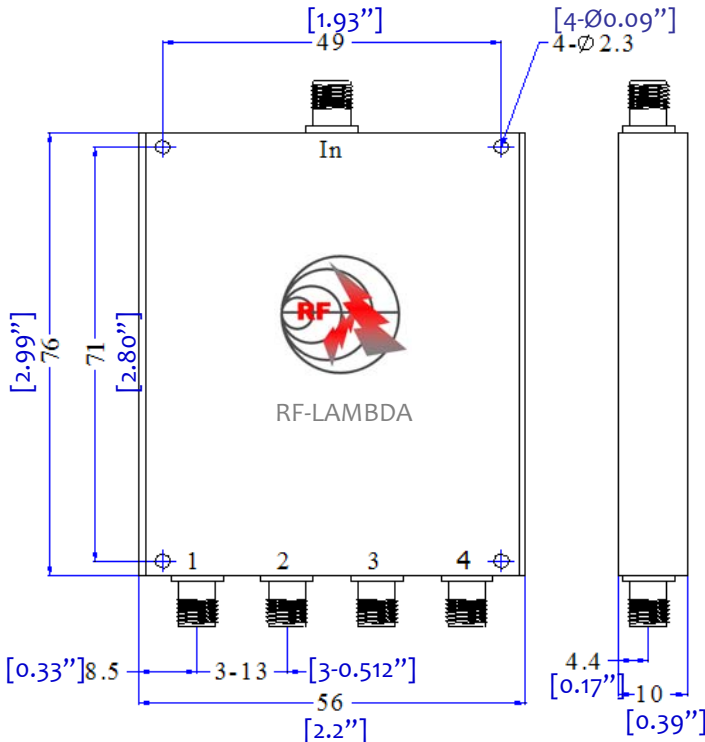
Standard: MIL E-5400, MIL E -16400

High power handling capability

* 3W/2W maximum input when work as combiner.

Electrical Specifications:

Center Frequency Range:	0.5GHz-2.0GHz
Insertion Loss:	0.8dB
Amplitude Unbalance:	0.3dB
Phase unbalance:	3.0 degree
Isolation:	20dB
Input VSWR:	1.25:1
Output VSWR:	1.2:1
Temp. Range:	-10°C~+70°C
Forward Power Handling:	20W (CW)
Reverse Power Handling:	3W (CW)
Connector:	SMA-F
Finishing:	Black Paint Epoxy cover



0.5GHz-2.0GHz 4-Way Power Divider