

Variable Attenuators

Series 080

Features

- 0 - 20 dB Attenuation
- VSWR Better than 1.10:1

The Flann 080 series of Variable Attenuators is suitable for applications where calibrated attenuators are not required, such as level-setting or padding.

Models 11A080 to 20080 inclusive

Each unit consists of a length of waveguide with a bearing tube mounted on an external H plane wall. Passing through the tube is a close fitting plunger which carries, and varies the position of, the attenuation element within the waveguide. A locking screw is provided to secure the element at the required position. The attenuating elements are ni-chromed glass.

Model 22080 to 24080

These units are similar to the above but provided with a threaded drive mechanism to the attenuating element and a locking ring for securing at a fixed position. The attenuating element is of ni-chrome evaporated on glass.

Model 25080 to 28080

On these units the attenuating element of nichromed glass is introduced into the waveguide via a slot in the broad wall. Vane position is varied by a threaded drive mechanism.

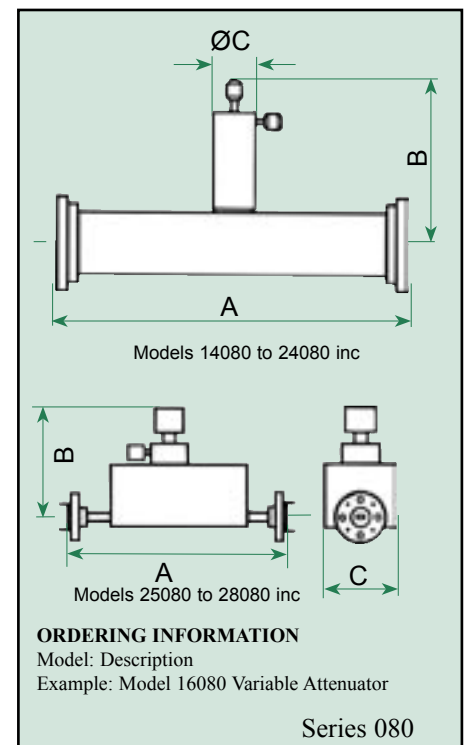


Model 20080

Specifications:

Attenuation Range	0 - 20 dB
VSWR (maximum)	1.10 : 1

Model	Frequency Range (GHz)	Waveguide			Maximum Insertion Loss (dB)	Maximum Power (watts)	Dimensions (mm)			Model
		WG	R	WR			A	B	C	
11A080	3.30 - 4.90	11A	40	229	0.2	2.0	275	125	22	11A080
12080	3.94 - 5.99	12	48	197	0.2	2.0	229	11	22	12080
13080	4.64 - 7.05	13	58	159	0.2	1.5	ON REQUEST			13080
14080	5.38 - 8.18	14	70	137	0.2	1.0	240	93	22	14080
15080	6.58 - 10.0	15	84	112	0.2	1.0	180	85	19	15080
16080	8.20 - 12.5	16	100	90	0.2	0.75	131	84	19	16080
17080	9.84 - 15.0	17	120	75	0.2	0.75	120	80	19	17080
18080	11.9 - 18.0	18	140	62	0.3	0.75	100	70	19	18080
19080	14.5 - 22.0	19	180	51	0.3	0.75	90	67	19	19080
20080	17.6 - 26.7	20	220	42	0.3	0.5	76	56	19	20080
21080	21.7 - 33.0	21	260	34	0.4	0.5	ON REQUEST			21080
22080	26.4 - 40.1	22	320	28	0.4	0.5	70	45	16	22080
23080	33.0 - 50.1	23	400	22	0.5	0.5	69	42	16	23080
24080	39.3 - 59.7	24	500	19	0.6	0.5	90	45	16	24080
25080	49.9 - 75.8	25	620	15	0.5	0.3	90	45	30	25080
26080	60.5 - 92.0	26	740	12	0.5	0.3	90	45	30	26080
27080	73.8 - 112	27	900	10	0.6	0.3	90	45	30	27080
28080	92.3 - 140	28	1200	8	0.6	0.3	90	45	30	28080



For standard flange types and recommendations see pages 108 onwards