

RFID FLAT PANEL ANTENNA FPA5-0.9R/9406



ELECTRICAL

FREQUENCY:	868 MHz
GAIN:	5.2 dBiC
POLARISATION:	Right Hand Circular
BEAMWIDTH:	46° (Az) x 46° (El)
AXIAL RATIO:	3.0 dB Typical
VSWR:	1.5:1
POWER RATING:	10 W
FRONT TO BACK:	25 dB

MECHANICAL

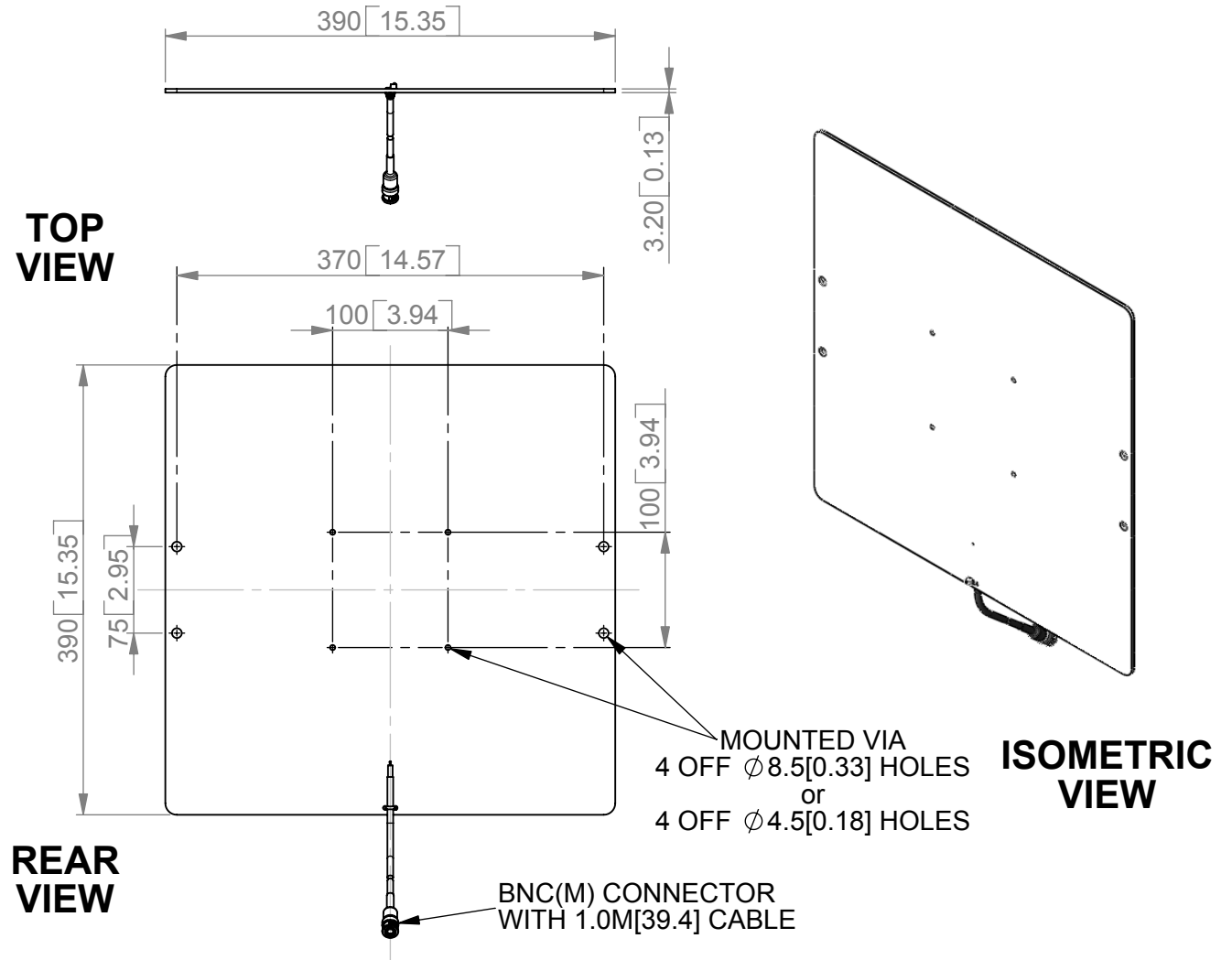
STANDARD FINISH:	Gloss White
MASS:	1.1 Kg / 2.42 lbs
TEMPERATURE:	-20° to +50°C
WIND LOADING:	N/A (indoor use)

MOUNTING OPTIONS

KITS AVAILABLE: MK3, 111A

See Separate Data Sheets

GA: 9406-1 Issued: 200607
DIMENSIONS: mm [inches] M



FPA5-0.9R/9406

European Antennas Ltd. has a policy of continuous development and therefore stress that the data contained on this sheet should be used for guidance only.

European Antennas Ltd. is part of the Cobham Antennas Division



Certificate No 9268

European Antennas Ltd
Lambda House, Cheveley
Newmarket, Suffolk, CB8 9RG, UK
Tel: +44 (0)1638 731888
sales@european-antennas.co.uk
www.european-antennas.co.uk