



Precision 1.85mm Male to 1.85mm Female Phase
 Matched Adapter Adapter Operating to 67 GHz

TECHNICAL DATA SHEET

PE91086

Precision 1.85mm Male to 1.85mm Female Phase Matched Adapter Adapter Operating to 67 GHz

Configuration

Connector 1	1.85mm Male
Impedance 1	50 Ohms
Connector 2	1.85mm Female
Impedance 2	50 Ohms
Adapter Design	Precision
Body Style	Straight

Electrical Specifications

Frequency Range, GHz	DC to 67
Maximum VSWR	1.35:1
Maximum Input Power, Watts	20

Mechanical Specifications

Temperature

Operating Range, deg C	-55 to +125
Storage Range, deg C	-55 to +125

Size

Length, in [mm]	0.89 [22.61]
-----------------	--------------

Connector 1

Type	1.85mm Male
Inner Conductor Material and Plating	Beryllium Copper, Gold
Inner Conductor Plating Specification	MIL-PRF-39012
Outer Conductor Plating Specification	ASTM-A582, Alloy 303, Cond. A
Coupling Nut Material and Plating	Stainless Steel
Coupling Nut Plating Specification	ASTM-A582, Alloy 303, Cond. A
Hex Size, Inch	5/16
Torque, in-lbs [Nm]	8 [0.9]
Body Material and Plating	Stainless Steel
Body Plating Specification	ASTM-A582, Alloy 303, Cond. A

Connector 2

Type	1.85mm Female
Inner Conductor Material and Plating	Beryllium Copper, Gold
Inner Conductor Plating Specification	MIL-PRF-39012
Outer Conductor Material and Plating	Stainless Steel
Outer Conductor Plating Specification	ASTM-A582, Alloy 303, Cond. A
Body Material and Plating	Stainless Steel
Body Plating Specification	ASTM-A582, Alloy 303, Cond. A

Click the following link (or enter part number in "SEARCH" on website) to obtain additional part information including price, inventory and certifications: [Precision 1.85mm Male to 1.85mm Female Phase Matched Adapter Adapter Operating to 67 GHz PE91086](#)

The information contained in this document is accurate to the best of our knowledge and representative of the part described herein. It may be necessary to make modifications to the part and/or the documentation of the part, in order to implement improvements. Pasternack reserves the right to make such changes as required. Unless otherwise stated, all specifications are nominal.





Precision 1.85mm Male to 1.85mm Female Phase
Matched Adapter Adapter Operating to 67 GHz

TECHNICAL DATA SHEET

PE91086

Compliance Certifications (visit www.Pasternack.com for current document)

RoHS Compliant

Yes

Plotted and Other Data

Notes:

Values at 25 °C, sea level

Precision 1.85mm Male to 1.85mm Female Phase Matched Adapter Adapter Operating to 67 GHz from Pasternack Enterprises has same day shipment for domestic and International orders. Our RF, microwave and fiber optic products maintain a 99% availability and are part of the broadest selection in the industry.

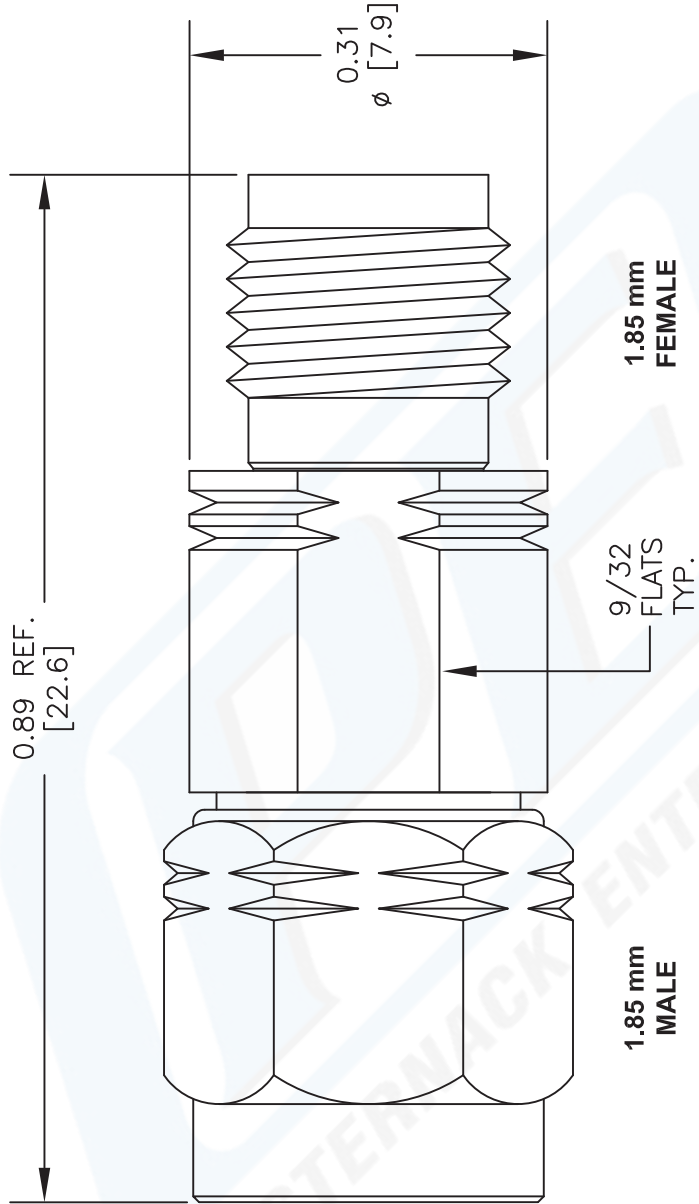
Click the following link (or enter part number in "SEARCH" on website) to obtain additional part information including price, inventory and certifications: [Precision 1.85mm Male to 1.85mm Female Phase Matched Adapter Adapter Operating to 67 GHz PE91086](http://www.pasternack.com/1.85mm-male-1.85mm-female-straight-adapter-pe91086-p.aspx)

URL: <http://www.pasternack.com/1.85mm-male-1.85mm-female-straight-adapter-pe91086-p.aspx>

The information contained in this document is accurate to the best of our knowledge and representative of the part described herein. It may be necessary to make modifications to the part and/or the documentation of the part, in order to implement improvements. Pasternack reserves the right to make such changes as required. Unless otherwise stated, all specifications are nominal.

PE91086 CAD Drawing

Precision 1.85mm Male to 1.85mm Female Phase Matched Adapter Adapter Operating to 67 GHz



NOTES:
1. UNLESS OTHERWISE SPECIFIED ALL DIMENSIONS ARE NOMINAL.
2. ALL SPECIFICATIONS ARE SUBJECT TO CHANGE WITHOUT NOTICE AT ANY TIME.
3. DIMENSIONS ARE IN INCHES [mm].

DWG TITLE
PE91086

FSCM NO. 53919

CAD FILE 071213

SCALE N/A

SIZE A

2233

PE PASTERNAK®
Pasternack Enterprises, Inc.
P.O. Box 16759 | Irvine | CA | 92623
Phone: (949) 261-1920 | Fax: (949) 261-7451
Website: www.pasternack.com | E-Mail: sales@pasternack.com