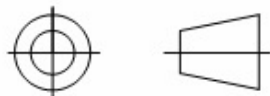
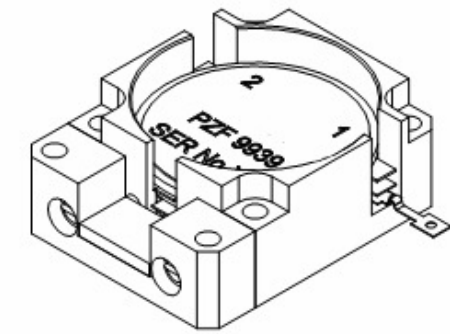
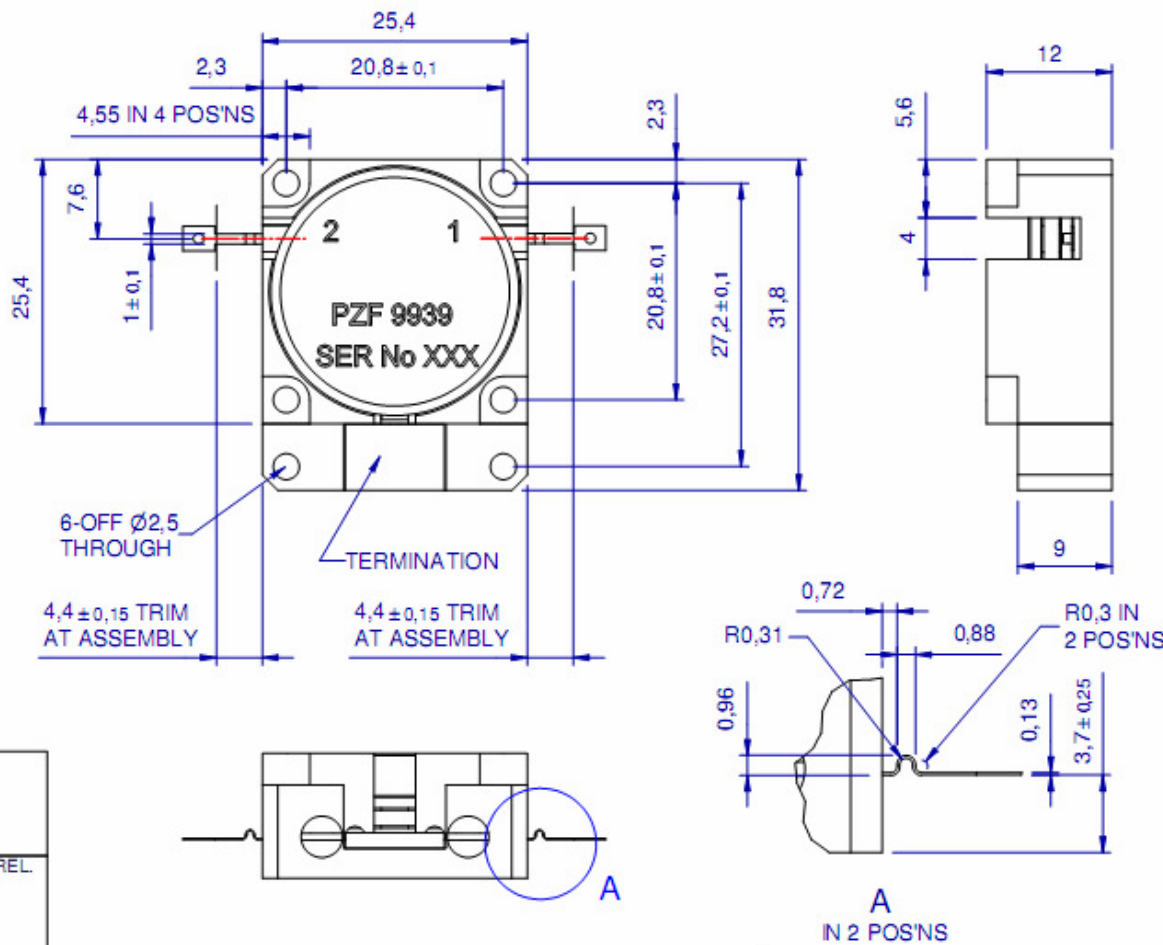


SERVICE DRAWING NUMBER		3rd ANGLE PROJECTION		THIS DRAWING IS MESL MICROWAVE PROPERTY IT MAY NOT BE COPIED OR EXHIBITED WITHOUT WRITTEN PERMISSION		MESL MICROWAVE	
SECURITY CLASSIFICATION		DRAWING TO BE READ IN CONJUNCTION WITH BS 8888					



ELECTRICAL SPECIFICATIONS :

FREQUENCY RANGE :	869 - 894 MHz.
INSERTION LOSS :	0.15dB -10°C TO +60°C. 0.25dB -40°C TO -10°C. & +60°C TO +100°C.
ISOLATION :	23dB -10°C TO +60° 21dB -40°C TO -10°C & +60°C TO +100°C
RETURN LOSS PORTS 1 & 2	23dB -10°C TO +60°C 21dB -40°C TO -10°C & +60°C TO +100°C
OPERATING TEMP. RANGE	-40°C TO +100°C
FORWARD POWER	200W
REVERSE POWER	125W (DURATION 1 MINUTE)
IMD :	-75 dBc -40°C TO 100°C, 2 x 35W SPACING 2MHz OR 5MHz ANYWHERE IN THE BAND

Q.A.	DATE
PROD.REL.	DATE
ENG.APP.	DATE
MECH. ENG.	DATE
DRAWN	DATE

ORIGINAL SCALE 2:1	MATERIAL	SPECIFICATION
DO NOT SCALE PRINT		
DIMENSION IN mm	FINISH	SPECIFICATION
CERTIFIED AT ISSUE	BODY: SILVER PLATED	

REF	DESCRIPTION	No OFF	CHAR.	POS.TOL.	ISSUE	DATE	MOD NUMBER
	RED (Development Only)						A 3
GENERAL TOLERANCE UNLESS OTHERWISE STATED					CONTRACTOR		
ISO 2768-FH Symmetry ± 0,05					MESL MICROWAVE		
FINISH TO BE 1.6					RESPONSIBLE AUTHORITY		
UNLESS OTHERWISE STATED					TITLE		
					869-894MHz PACK DROP-IN ISOLATOR TYPE NZF 9939		
					SECURITY CLASSIFICATION		
					CONTRACTORS DRAWING NUMBER		
					9939-000-OL		
					SERVICE DRAWING NUMBER		SHEET No 1 OFF 1