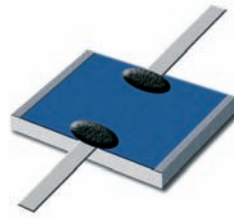
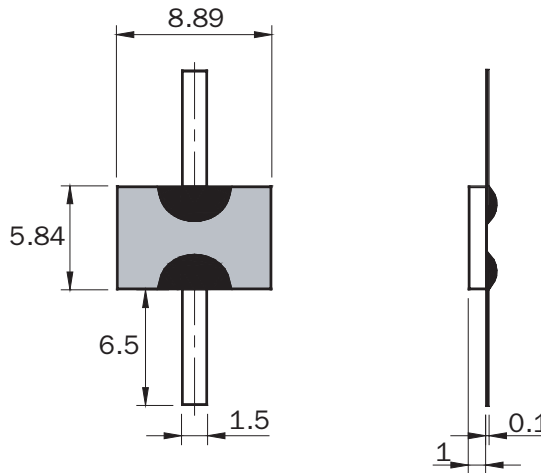
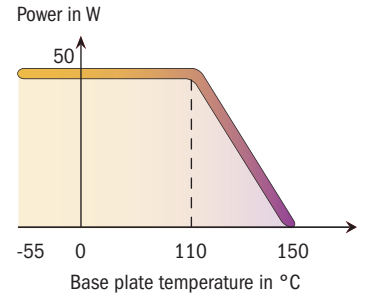




Standards  
NF C 96-315  
MIL-DTL-3933



Substrate	BeO
Resistive film	Thick film
Tab	Ag
Tab attachment	Brazed with epoxy encapsulation
Protection film	Epoxy



Dimensions in mm

P/N	Attenuation* (dB)	Frequency (GHz)	Power (W)	Impedance ( $\Omega \pm 5\%$ )	Max VSWR	Accuracy $\pm \Delta\alpha$ (dB)
16-6636E	3	3	50	50	1.25	0.6
16-6687E	5	3	50	50	1.25	0.6
16-6637E	6	3	50	50	1.25	0.6
16-6638E	10	3	50	50	1.25	0.6
16-6723E	15	3	50	50	1.25	1
16-6639E	20	3	50	50	1.25	1
16-6640E	30	3	50	50	1.25	1.2

mm	inch
0.1	0.004
1	0.039
1.5	0.059
5.84	0.230
6.5	0.256
8.89	0.350

\* Others values on request