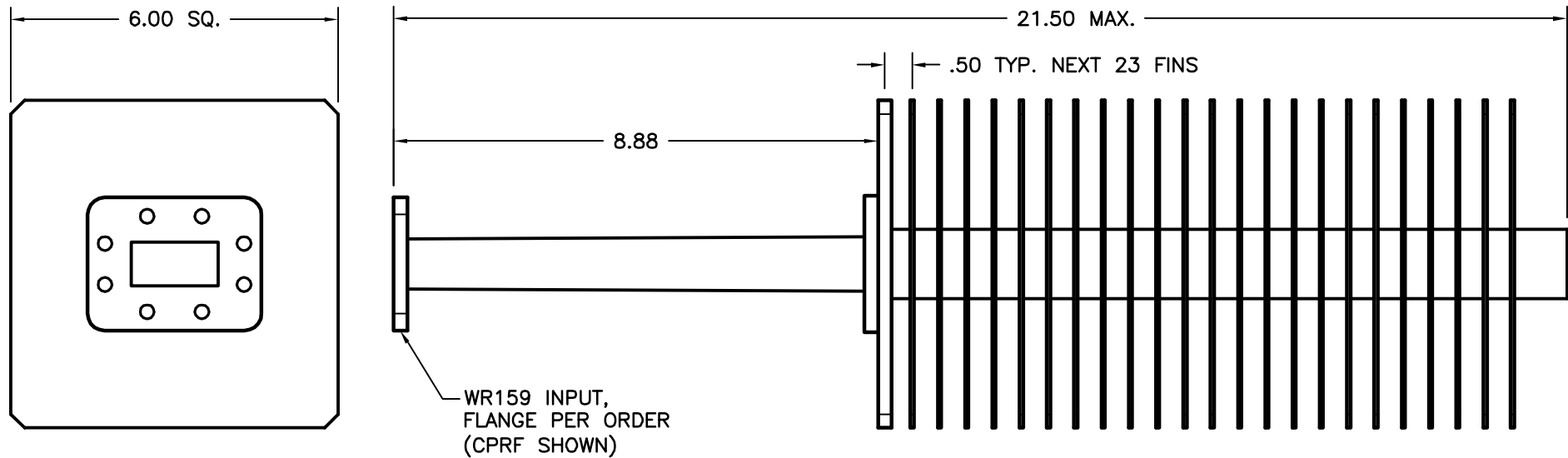


REV A	DATE 1/20/04	INITIAL RELEASE: CREATED FROM (5873) WITH CHANGES
REV B	DATE 07/29/05	ADDED 'W' TO DWG. NO.; LINETYPES, DIMSTYLE UPDATE.



PERFORMANCE SPECIFICATIONS

MODEL CODE: 159-760-FLANGE TYPE*
 WG SIZE: WR159
 FREQ. RANGE: 4.90 - 7.05 GHz
 POWER: 3000W AVG.
 MAX. VSWR: 1.15 MAX.
 FLANGE TYPE: SEE TABLE

*ATM MODEL # DESIGNATION FOR COMMON FLANGE TYPES
1 = CPRG
2 = CPRF
6 = UG COVER
7 = UG CHOKE
8 = SPECIAL

MATERIAL 6061/T-6 ALUM.	TREATMENT IRIDITE	DRAWN J. EAGAN	DATE 1/20/04			
FINISH HI-TEMP BLACK	MOD NO. 159-760-X	CHECKED	DATE			
OUTLINE WR159, 3000W VERY HIGH POWER TERM.		APPROVED	DATE			
		CAGE CODE: ORBN4	DO NOT SCALE DWG			
ADVANCED TECHNICAL MATERIALS, INC. 49 RIDER AVE., PATCHOGUE N.Y. 11772 TEL: (631) 289-0363 FAX: (631) 289-0358 http://www.atmmicrowaves.com		UNLESS OTHERWISE NOTED DIMENSIONS ARE IN INCHES	FRACTIONS ±1/64	DECIMALS ±.03	ANGLES ±1/2°	SHEET. 1/1
PROPRIETARY NOTICE: THE INFORMATION IN THIS DRAWING IS PROPRIETARY AND SHALL NOT BE USED OR DISCLOSED WITHOUT THE PRIOR WRITTEN CONSENT OF ATM, INC.		SCALE 1/3	DWG. NO. 5941W	REV. B		