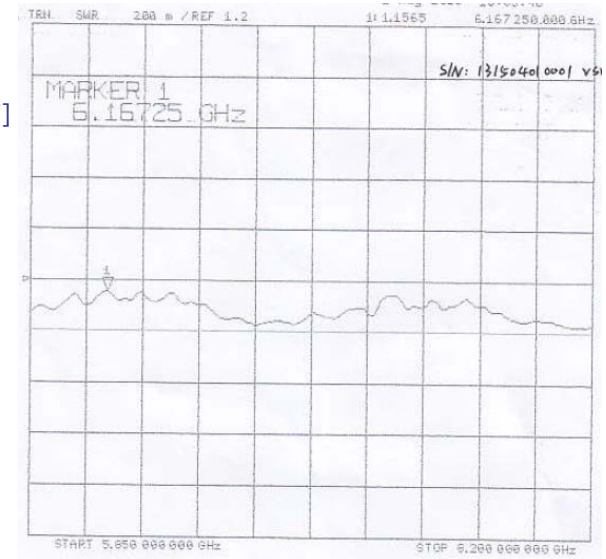
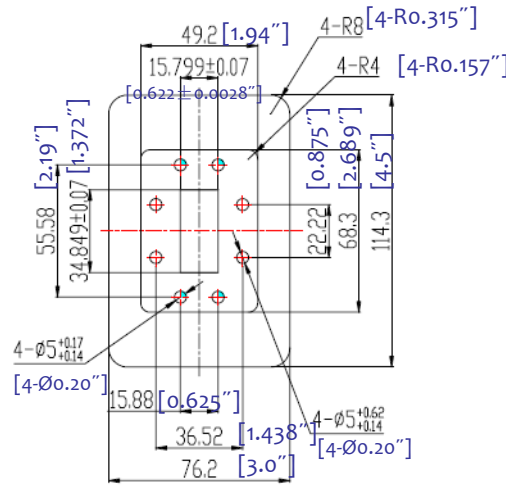
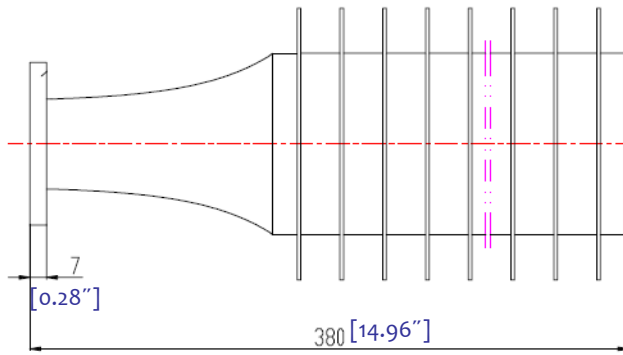



WAVEGUIDE 500W HIGH POWER Termination- RFWT137C



1.0	Mechanical Specifications	
1.1	Waveguide	Rectangular Waveguide WR-137
1.2	Flange type	CPR137-F
1.3	Flange Holes	Through
1.4	Basis-material	Alloyed Cuprum
1.5	Internal Finish	Silver Plated chromate or conversion
1.6	External Finish	Sea - Grey

2.0	Environment specifications	
2.1	Operation Temp.	-25°C~+85°C
2.2	Storage Temp.	-60°C~+125°C
2.3	Altitude	45000 ft
2.4	Vibration	10g rms (15 degree 2KHz)
2.5	Humidity	100% RH at 35c
2.6	Shock	20G for 11msc

3.0	Electrical Specifications	
3.1	Frequency Range	5.40 ~ 8.20GHz
3.2	Power Handle	500W (CW) typ. 350W (CW) 85°C
3.3	Peak Power	35KW (5% 1us)
3.4	VSWR	1.20:1

PAGE 1 OF 1		DATE
PROPRIETARY INFORMATION THE INFORMATION CONTAINED IN THIS DOCUMENT IS THE PROPERTY OF RF-LAMBDA EXCEPT AS SPECIFICALLY AUTHORIZED IN WRITING BY RF-LAMBDA. THE HOLDER OF THIS DOCUMENT SHALL KEEP ALL INFORMATION CONTAINED HEREIN CONFIDENTIAL AND SHALL PROTECT SAME IN THE WHOLE OR IN PART FROM DISCLOSURE AND DISSEMINATION OF ALL THIRD PARTIES AND SHALL USE SAME FOR OPERATING AND MAINTENANCE PURPOSES ONLY.		Jun 21 st 2002
 RFWT137C WAVEGUIDE Load		DESIGN RFPC
www.rflambda.com		RF-LAMBDA RFPC
CAD MODEL REVISION 11		CAD MODEL REVISION 11
ASSEMBLY REVISION V55D5		ASSEMBLY REVISION V55D5
ASSEMBLY NAME RFLVR05		ASSEMBLY NAME RFLVR05
DRAWING NUMBER D05-1		DRAWING NUMBER D05-1
RF-LAMBDA		SIZE LT
SHEETS 1 OF 1		SHEETS 1 OF 1