

1.0 PERFORMANCE

- 1.1 VOLTAGE RATING: 1000 Vrms
- 1.2 NOMINAL IMPEDANCE: 50 OHM
- 1.3 DWV: 2,500 Vrms, 60 Hz (sea level)
- 1.4 TEMPERATURE RANGE: -65 TO +165°C

2.0 MATERIALS

- 2.1 DIELECTRIC: PTFE
- 2.2 CENTER CONTACTS: BeCu
- 2.3 ALL OTHER METAL PARTS: BRASS
- 3.0 FINISH: SEE TABLE
- 3.1 RoHS CERTIFIED

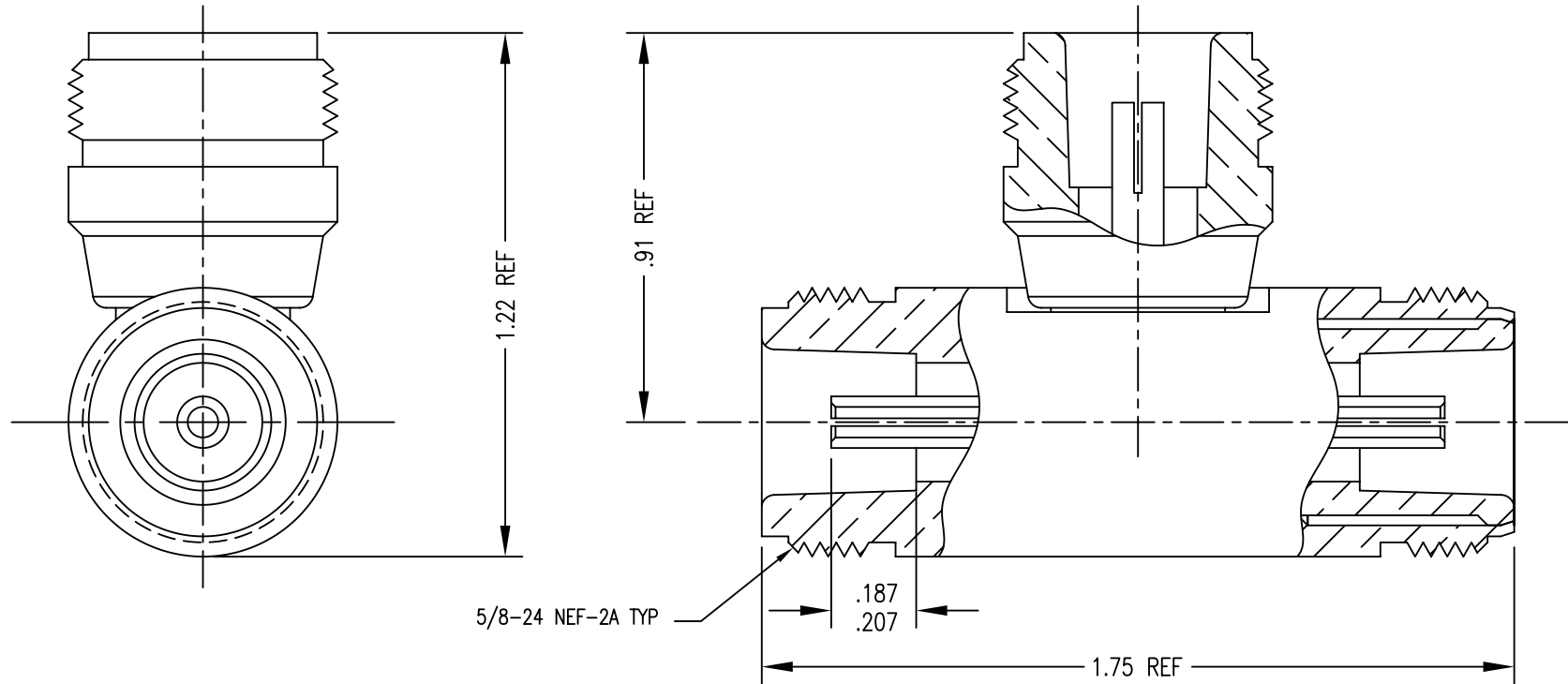
4.0 MECHANICAL

- 4.1 INTERFACES PER MIL-STD-348
- 4.2 DURABILITY 500 CYCLES

DWG NO. OL-0410-38-1		REV. C
PART NUMBER	BODY	CONTACT
0410-38-AG	ALBALOY	GOLD/Cu
0410-38-AF	ALBALOY	GOLD/ALBALOY
0410-38-NS	NICKEL	SILVER
0410-38-SS	SILVER	SILVER
0410-38-NH	NICKEL	GOLD/Ni
0410-38-SH	SILVER	GOLD/Ni
0410-38-SG	SILVER	GOLD/Cu

PLATING PER SAN-TRON SPEC. 7.3.1-8

DO NOT SCALE DRAWING



Rev.	Revisions	Disp.	Date	Dwn.	Appd.
C	ADD PLATING OPTION -AF	NEW	6/24/08	FSH	FSH
B	ADD PLATING OPTION -AG AND -SG	NEW	3/19/07	FSH	FSH
A	ORIGINAL	NEW	7/20/06		

Ref.: SK	REMOVE ALL BURRS AND SHARP EDGES .005 MAX.	INTERPRET PER ASME Y14.5M-1994
----------	--	--------------------------------

THIS DRAWING CONTAINS CONFIDENTIAL INFORMATION PROPRIETARY TO SAN-TRON INC. IT MUST NOT BE REPRODUCED OR DISCLOSED TO OTHERS OR USED IN ANY OTHER WAY, IN WHOLE OR PART EXCEPT AS AUTHORIZED IN WRITING BY SAN-TRON INCORPORATED.

UNLESS OTHERWISE SPECIFIED:
ALL DIMENSIONS ARE IN INCHES.
ALL DIMENSIONS ARE AFTER PLATING.
.XXX = ±.005 ALL MACHINED SURFACES $\sqrt{3}$ MAX.
.XX = ±.01 ANG. ±1/2° FRACTIONAL = ±1/64
Ⓞ.004 MAX. TIR ⊥ AXIS .001

THIRD ANGLE PROJECTION

DWN	FSH	9/12/05
CHKD	SJS	7/20/06
APPR	FSH	9/21/05

SAN-TRON, INC.
 4 NEWBURYPORT TPK. IPSWICH MA USA 01938
 TEL: 978 - 356 -1585 FAX: 978 - 356 -1573
 WWW. santron.com E MAIL: santron@santron.com

TITLE ADAPTER, TYPE N TEE	
MATERIAL: SEE NOTE 2	FINISH: SEE TABLE- ALLOW FOR .0002/ .0004 PLATING
CAGE CODE: 50896	DWG NO. OL-0410-38-1
SCALE X:X	REV. C