

Miniature Signal Generator

ASG Series

- 25-6000MHz
- Full Range Tuning
- Frequency & Level Control
- USB or Ethernet Control with GUI
- Also with RS232
- External or Internal (+/-1ppm) Reference
- Compact Size
- Non-Volatile Memory
- RoHS Compliant

Supplied with:

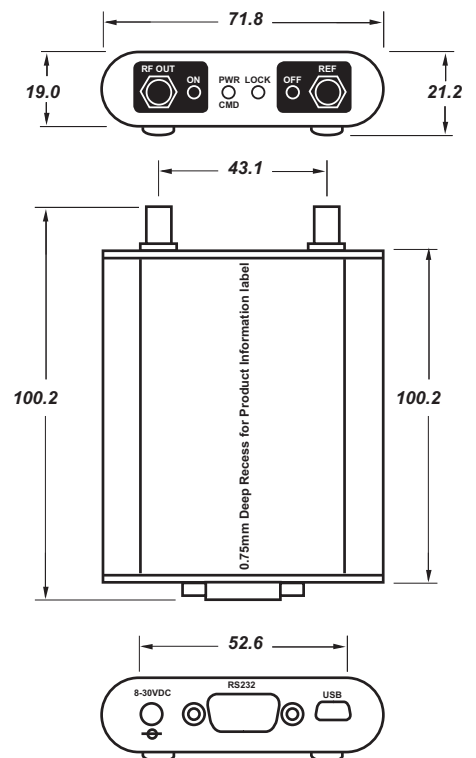
- Control Software
- USB to Mini USB Cable
- DC Input Connector



RF Performance				
Frequency Range	25 - 3000MHz – USB Control Interface -		Model ASG-3000-U	
	25 - 6000MHz – USB Control Interface -		Model ASG-6000-U	
	25 - 3000MHz – Ethernet Control Interface -		Model ASG-3000-E	
	25 - 6000MHz – Ethernet Control Interface -		Model ASG-6000-E	
Frequency Step Size	1Hz			
Output Maximum Amplitude	+13dBm, <3GHz; +10dBm, 3-6GHz			
Output Range	+13dBm to -27dBm, 0.1dB Steps (output level set in dBm)			
Internal Reference	40MHz, +/-1ppm over temperature, +/-1ppm per year			
Phase Noise Maximum	Frequency	1KHz Offset	10KHz Offset	100KHz Offset
	25 - 250MHz	-98	-106	-112
	250 - 1000MHz	-92	-96	-106
	1000 - 3000MHz	-83	-94	-101
	3000 - 6000MHz	-80	-85	-92
Spurious	Maximum: < -50dBc, Typical: < -70dBc			
Harmonics	Typical: -25dBc, Maximum: -20dBc			
Lock Time	Standby mode On (synthesiser on, max attenuation, amplifiers off): <10mS Standby mode Off (synthesiser off): <50mS			
RF Output connector	SMA Female			
Reference Connector	SMA Female Software controlled input/output 40MHz Output 10-50MHz input (software programmable frequency)			
Power				
Power Input	3.5mm OD x 1.35mm ID coaxial power jack 6-30VDC In, Target: <250mA at 9V, Maximum: 300mA at 9V Centre Positive			
Power Selection	Automatic Switching <ul style="list-style-type: none"> • Coaxial Power jack selected by default • Allows USB interface connection to unpowered hub with coaxial power input • USB power used when coaxial power not present 			

Interface	
Control Electrical Interface	USB <ul style="list-style-type: none"> • Virtual COM port RS232 <ul style="list-style-type: none"> • 9-pin male D-sub connector • 9.6 (default), 19.2, 38.4, 57.6, 115.2 kbps, software selectable
Control Interface Selection	Automatic Switching USB interface selected when connected (senses 5V power) RS232 interface selected when USB not connected
Output Modes	Continuous On/Off via external trigger
External Trigger	Pin 4 of RS232 connector USB interface selected: <ul style="list-style-type: none"> • 0-3.3V logic levels RS232 interface selected: <ul style="list-style-type: none"> • RS232 +/- levels, can be controlled through software DTR control
Status Indicators	Power Synthesiser Lock RF Output Reference Out
Control Data Interface	ASCII text
PC User Interfaces	Third-part terminal application (e.g. HyperTerm) <ul style="list-style-type: none"> • ASCII commands PC application (windows XP, Win 7) <ul style="list-style-type: none"> • Adjust frequency and output level • Set power-on defaults • Sweep • Control multiple units • Identify connected units
Internal Memory	Non-volatile, automatically stores most recent settings

Environmental	
Operating Temperature	-20 to +50C
Storage Temperature	-40 to +85C
Mechanical	
Dimensions	21mm x 72mm x 100mm
Weight	<300g
Material	Aluminium extrusion Aluminium endplates with black legend Rubber Feet



Option

- ASG Mounting Bracket Pair
 Supplied fitted to the unit e.g. use order code: ASG-3000-U-MB
 To order brackets separately use order code: ASG-MB

[Download Drawing PDF](#)

We reserve the right to change standard product specifications without notice but will be pleased to consider control drawings for quotation.