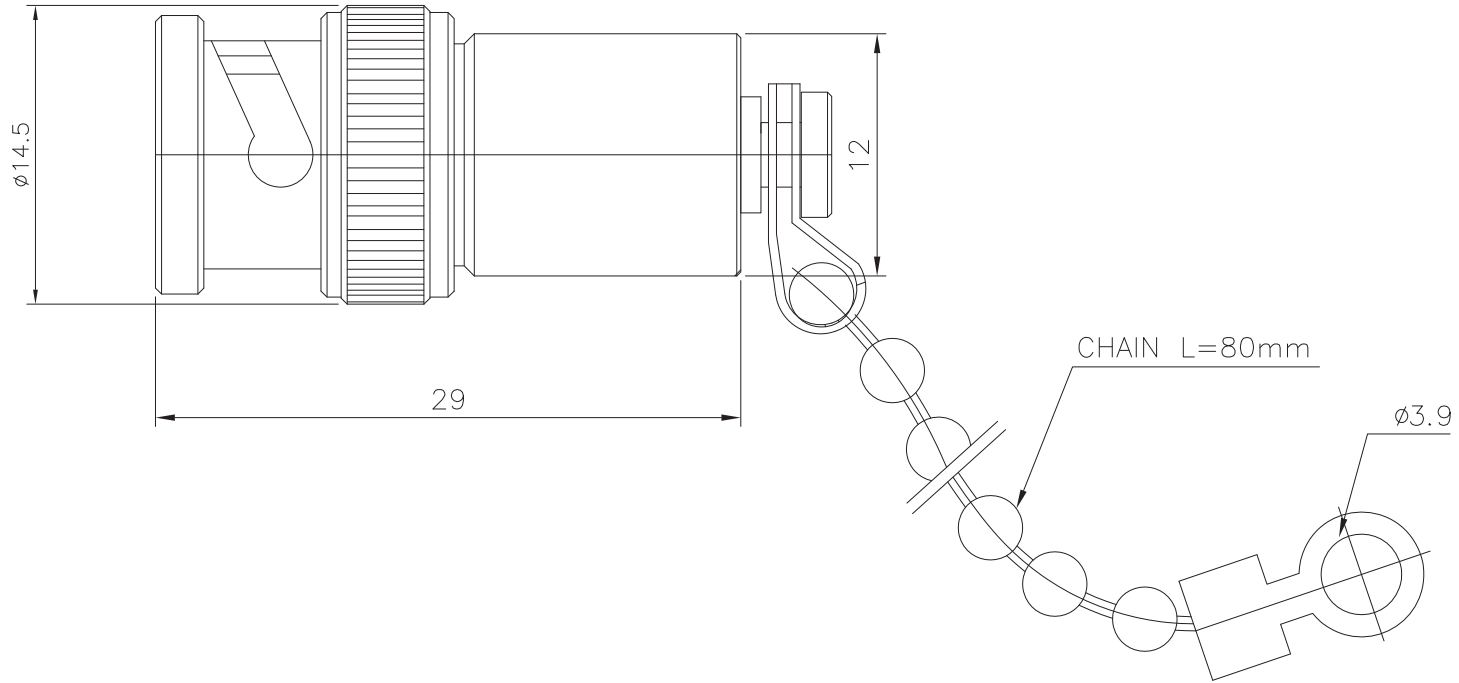


4	5	6
No.	Revision	Date
△		
△		

RoHS Compliant



BNC MALE-Termination

SPECIFICATIONS

Frequency Range----- DC~4GHz
 VSWR-----1.2:1Max.
 Impedance----- 50 Ohms
 Power Rating----- 2Watts
 Oper Temp Range----- -50°C~+125°C

CONNECTOR----- Brass/Nickel plated
 Conductors----- Brass/Gold plated

CUSTOMER

NO.	DESCRIPTION	Q'TY	MATERIAL	FINISH	REMARKS.
PARTS No.	1B-901-2WC80	NAME	BNC-P-TERM		APPROVED
MATERIAL	FINISH	TOLERANCES OTHERWISE SPEC. ±0.05		ANGLES ±1°	CHECKED
		SCALE	UNIT mm		DESIGNED S.J.LEE
		DWG NO.	1B-901-2WC80		DATE. 01/NOV/2010

Cross RF
 web: www.crossrf.com