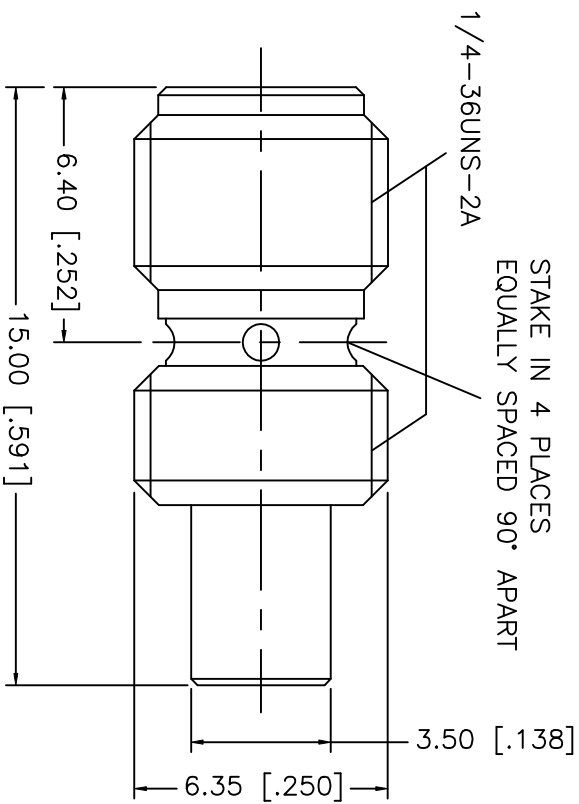


REV.	DATE	DESCRIPTION
A	09/16/02	UPDATE THREADED PORTION



8				UNLESS OTHERWISE SPECIFIED DIMENSIONS ARE IN MILLIMETERS		APPROVALS		DATE	TITLE			
7				DIMENSIONS IN [ ] ARE IN INCHES FOR CUSTOMER REFERENCE ONLY		DRAWN		09/16/02	SMA FEMALE TO MMCX FEMALE ADAPTOR (THIN BODY)			
6						CHECKED			Amphenol - Connex CONNECTOR CORPORATION			
5						ISSUED			SMA FEMALE TO MMCX FEMALE ADAPTOR (THIN BODY)			
4									UNLESS OTHERWISE SPECIFIED TOLERANCES FOR INCHES ARE: .XXX = ± 0.005" .XX = ± 0.010" .X = ± 0.020"			
3	CONTACT PIN	BER. COPPER	GOLD						SIZE	FSOM NO.	DWG. NO.	REV.
2	INSULATOR	TEFLON	NATURAL						A	99001	242143-10.DWG	A
1	BODY	BRASS	GOLD						SCALE	PART NO.	SHEET	OF
	DESCRIPTION	MATERIAL	FINISH	DO NOT SCALE DRAWING					NA	242143-10	1	1