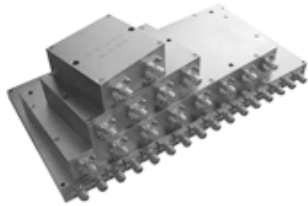




### 5.9GHz-6.45GHz 16-Way 50Ω Power Divider

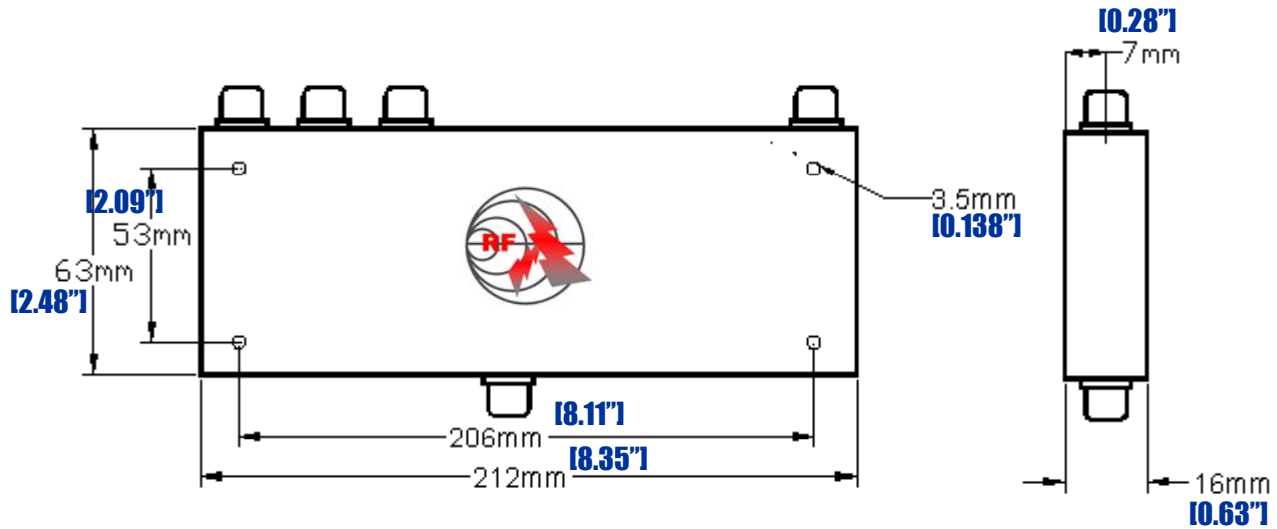


#### Wide Band Power Divider

- Very small package
- Excellent phase and amplitude balance
- Bi-Directional as divider and combiner \*
- Low Insertion loss and high isolation
- Standard: MIL E-5400, MIL E-16400
- 10W forward power handling capability
- \* 2W maximum input when work as combiner.

Frequency Range (GHz)	Insertion Loss (dB)		Isolation (dB)			Phase Unbalance (degree)			Amplitude Unbalance (dB)		
	L	M	L	M	U	L	M	U	L	M	U
	TypMax	TypMax	TypMin	TypMin	TypMin	TypMax	TypMax	TypMax	TypMax	TypMax	TypMax
5.9-6.45	0.6	1.2	20	18	25	12	12	12	0.8	0.8	0.8

5.9GHz-6.45GHz 16-Way Power Divider



**Notes:**

1. Case material: Aluminum alloy with Nickel-plating.
2. Connector: N/SMA/BNC/TNC...
3. Temperature -40° C~+85° C