

1.0 PERFORMANCE:

- 1.1 FREQUENCY RANGE DC-18 GHz
- 1.3 SYSTEM IMPEDANCE 50 OHMS
- 1.4 DWV: 750 Vrms @ 60 Hz (SEA LEVEL)
- 1.5 VOLTAGE RATING: 250 VRMS (SEA LEVEL)
- 1.6 TEMP RANGE: -65 / +165 °C

2.0 MATERIALS

- 2.1 PIN CONTACT: BRASS
- 2.2 SOCKET CONTACT: BERYLLIUM COPPER
- 2.3 LOCKING RING: BERYLLIUM COPPER
- 2.4 CAP: BRASS
- 2.5 OTHER METAL PARTS: STAINLESS STEEL
- 2.6 INSULATORS: PTFE, ASTM-D-1710
- 2.7 GASKET: SILICONE RUBBER

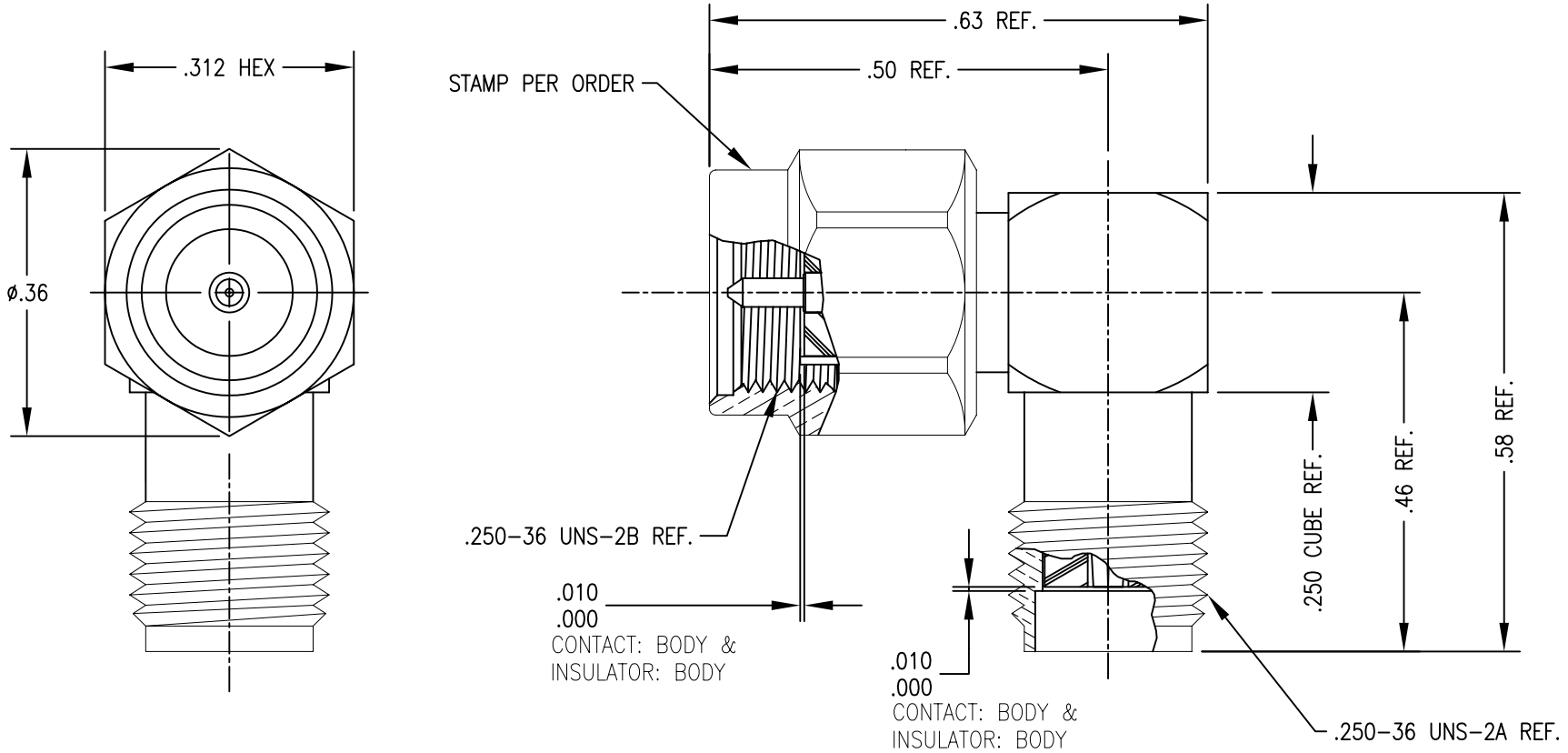
3.0 FINISHES: SEE TABLE

- 4.0 MECHANICAL
- 4.1 INTERFACE PER MIL-STD-348

DWG NO. OL-1210-21-1			REV. A
PART NUMBER	BODY	CONTACT	CAP
1210-21-PH	PASSIVATE	GOLD	NICKEL

PLATING PER SAN-TRON SPEC. 7.3.1-8

DO NOT SCALE DRAWING




Rev.	A	ORIGINAL	NEW	3/30/06		
Revisions			ECN No.	Disp.	Date	Dwn. Appd.
		Ref.: SK-	REMOVE ALL BURRS AND SHARP EDGES .005 MAX.		INTERPRET PER ASME Y14.5M-1994	

THIS DRAWING CONTAINS CONFIDENTIAL INFORMATION PROPRIETARY TO SAN-TRON, INC. IT MUST NOT BE REPRODUCED OR DISCLOSED TO OTHERS OR USED IN ANY OTHER WAY, IN WHOLE OR PART EXCEPT AS AUTHORIZED IN WRITING BY SAN-TRON, INC.

UNLESS OTHERWISE SPECIFIED:
ALL DIMENSIONS ARE IN INCHES.
ALL DIMENSIONS ARE AFTER PLATING.
.XXX = ±.005 ALL MACHINED SURFACES $\frac{32}{\text{MAX}}$
.XX = ±.01 ANG. ±1/2' FRACTIONAL = ±1/64
◎.004 MAX. TIR. ⊥ AXIS .001

THIRD ANGLE PROJECTION

DWN	DVP	3/30/06
CHKD	SJS	4/4/06
APPR	FSH	4/4/06



SAN-TRON, INC.
4 NEWBURYPORT TPK. IPSWICH MA USA 01938
TEL: 978 - 356 -1585 FAX: 978 - 356 -1573
WWW.santron.com E MAIL: santron@santron.com

TITLE: **RIGHT ANGLE ADAPTER, SMA (M) - SMA (F)**

MATERIAL: SEE NOTE 2.0 FINISH: SEE NOTE 3.0

CAGE CODE: **50896** DWG NO. **OL-1210-21-1**

SCALE: X:X REV. **A**