



ISSUE 11; July 2014 - RoHS 2011/65/EU

**Description**

- Surface mount oscillator in a ceramic package with a hermetically sealed metal lid
- Fast Make capability: CFPP-72 series programmable oscillator is the nearest equivalent fast make model



**Frequency Parameters**

- Frequency: 1.8MHz to 80.0MHz
- Frequency Stability: ±25.00ppm to ±100.00ppm
- Ageing: ±5ppm max in 1st year

**Electrical Parameters**

- Supply Voltage: 5.0V ±0.5V

**Operating Temperature Ranges**

- 10 to 70°C
- 40 to 85°C

**Output Details**

- Output Compatibility: HCMOS
- Drive Capability: 50pF max

**Output Control**

- Tri-state Operation:
  - Logic '1' (2.2V min) to pad 1 enables oscillator output
  - Logic '0' (0.8V max) to pad 1 disables oscillator output; when disabled the oscillator output goes to the high impedance state
  - No connection to pad 1 enables oscillator output

**Environmental Parameters**

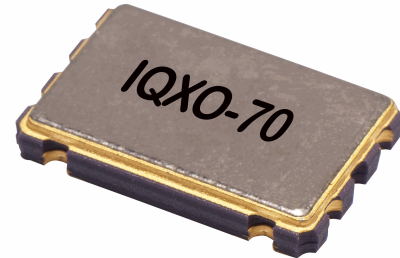
- Shock: MIL-STD-202F, Method 213B: 1000G, 0.5ms, 1/2 sine
- Vibration: MIL-STD-202F, Method 204D, Test Condition D: 20G, frequency range 10-2000Hz 2hrs in 3 mutually perpendicular planes (total 6hrs)
- Storage Temperature Range: -55 to 125°C

**Ordering Information**

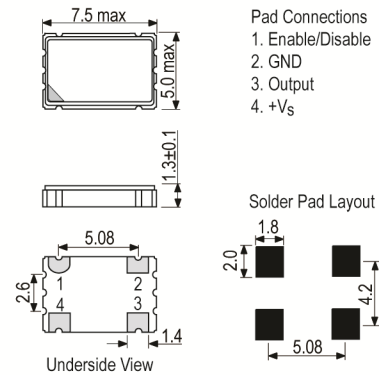
- Frequency\*
- Model\*
- Output
- Frequency Stability (over operating temperature range)\*
- Operating Temperature Range\*
- Supply Voltage (\*minimum required)
- Example: 10.0MHz IQXO-70 HCMOS ±50ppm -10 to 70C 5V

**Compliance**

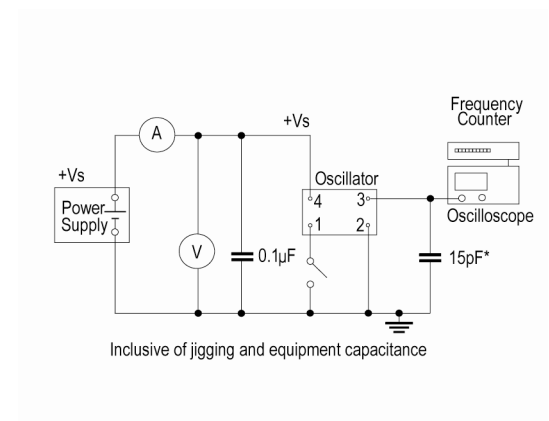
- RoHS Status: Compliant
- REACH Status: Compliant
- MSL Rating (JDEC-STD-033): Not Applicable



**Outline (mm)**



**Test Circuit**



**Sales Office Contact Details:**

UK: +44 (0)1460 270200

France: +33 (0)5 34 50 91 18

Email: [info@iqdfrequencyproducts.com](mailto:info@iqdfrequencyproducts.com)

Germany: +49 (0) 30 408 192 300

USA: +1 408.273.4530

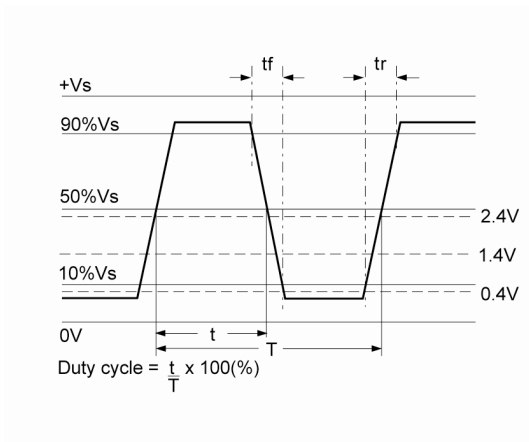
Web: [www.iqdfrequencyproducts.com](http://www.iqdfrequencyproducts.com)



**Packaging Details**

- Pack Style: Bulk      Loose in bulk pack  
Pack Size: 100
- Pack Style: Reel      Tape & reel in accordance with EIA-481-D  
Pack Size: 1,000
- Pack Style: Cutt      In tape, cut from a reel  
Pack Size: 1

**Wave Form**



**Electrical Specification - maximum limiting values 5.0V ±0.5V**

Frequency Min	Frequency Max	Temperature Range	Stability (min)	Current Draw	Rise and Fall Time	Duty Cycle
		°C	ppm	mA	ns	%
1.8MHz	32.0MHz	-40 to 85	±25.0	27	7	45/55
		-10 to 70	±25.0	27	7	45/55
32.000001MHz	50.0MHz	-40 to 85	±25.0	45	7	45/55
		-10 to 70	±25.0	45	7	45/55
50.000001MHz	80.0MHz	-40 to 85	±25.0	75	7	45/55
		-10 to 70	±25.0	75	7	45/55

*This document was correct at the time of printing; please contact your local sales office for the latest version.*  
[Click to view latest version on our website.](#)

**Sales Office Contact Details:**

UK: +44 (0)1460 270200

France: +33 (0)5 34 50 91 18

Email: [info@iqdfrequencyproducts.com](mailto:info@iqdfrequencyproducts.com)

Germany: +49 (0) 30 408 192 300

USA: +1 408.273.4530

Web: [www.iqdfrequencyproducts.com](http://www.iqdfrequencyproducts.com)