

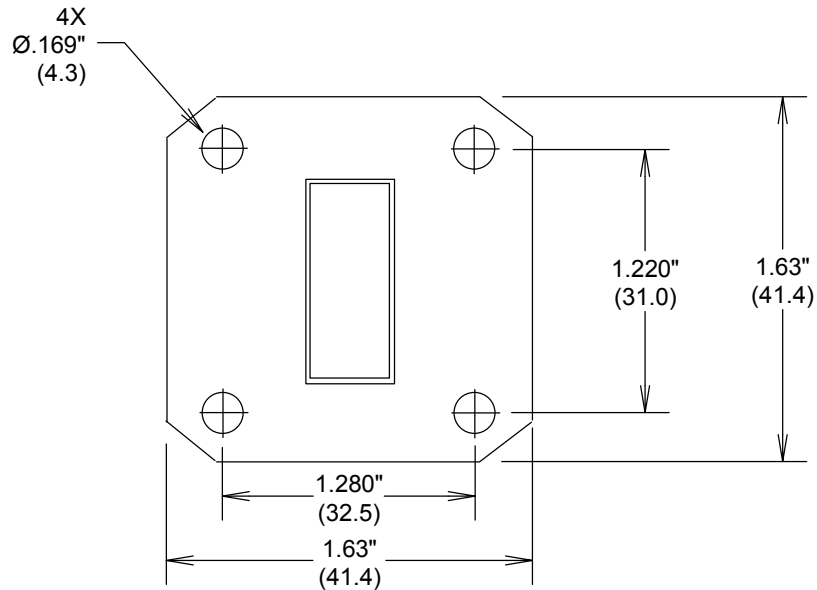
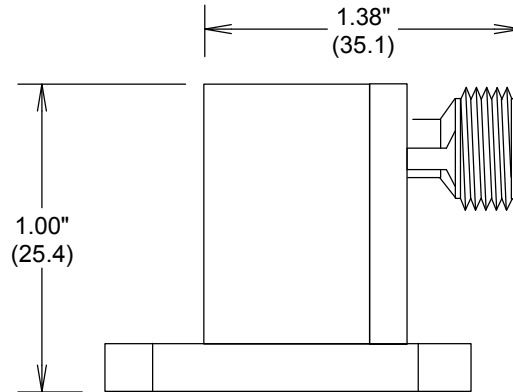
WR90 to N WAVEGUIDE TO COAXIAL ADAPTER

90AC206NA

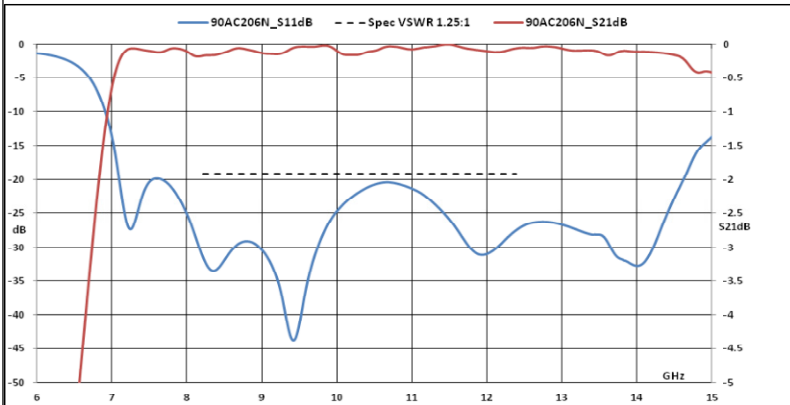
SPECIFICATIONS

FREQUENCY: 8.2-12.4 GHZ
 VSWR: 1.25:1
 POWER CW: 150 WATTS
 MATERIAL BODY: Al/Cu
 MATERIAL CONNECTOR: PASSIVATED STAINLESS STEEL

ROHS COMPLIANT



MEASUREMENTS BELOW ARE TYPICAL



ALL DIMENSIONS IN inches(MM) Typical

FAIRVIEW MICROWAVE INC.

ALLEN, TX 75013 WWW.FAIRVIEWMICROWAVE.COM

TITLE

WR90 to N WAVEGUIDE TO COAXIAL ADAPTER

| | | | |
|------------------|---------------------------|----------------------------|-----------------|
| SIZE A | CAGE CODE 3FKR5 | DWG NO 90AC206NA | REV A |
|------------------|---------------------------|----------------------------|-----------------|

| | |
|-------|-------|
| SCALE | SHEET |
|-------|-------|