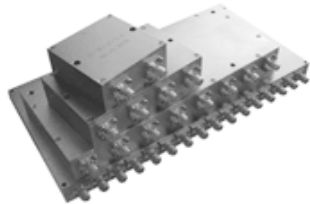




1MHz-200MHz 16-Way 50Ω Power Divider

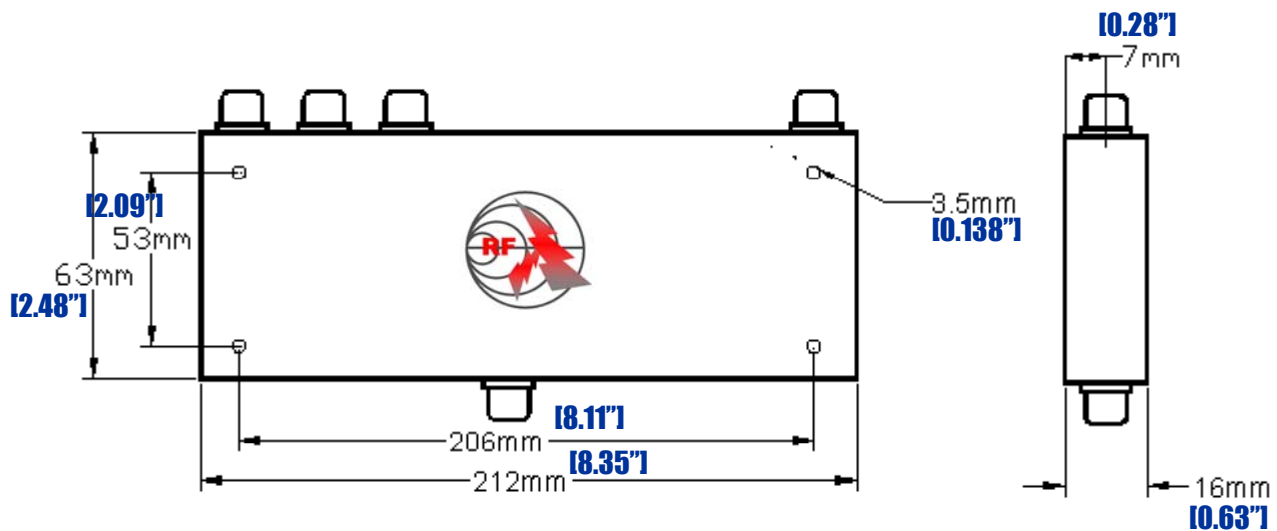


Wide Band Power Divider

- Very small package
- Excellent phase and amplitude balance
- Bi-Directional as divider and combiner *
- Low Insertion loss and high isolation
- Standard: MIL E-5400, MIL E-16400
- 10W forward power handling capability
- * 2W maximum input when work as combiner.

Frequency Range (MHz)	Insertion Loss		Isolation			Phase Unbalance			Amplitude Unbalance		
	(dB)		(dB)			(degree)			(dB)		
	L	M	L	M	U	L	M	U	L	M	U
f_c f_u	TypMax	TypMax	TypMin	TypMin	TypMin	TypMax	TypMax	TypMax	TypMax	TypMax	TypMax
1-200	1.2	1.2	20	20	20	12	12	12	0.8	0.8	0.8

1MHz-200MHz 16-Way Power Divider



Notes:

1. Case material: Aluminum alloy with Nickel-plating.
2. Connector: N/SMA/BNC/TNC...
3. Temperature -40° C~+85° C