

MECHANICAL SPECIFICATIONS

MATERIALS (ALL PER MIL-PRF-39012 & MIL-DTL-39030)

- INNER CONDUCTOR: BERYLLIUM COPPER PER ASTM B196 & B197.
- OUTER CONDUCTOR: STAINLESS STEEL, CORROSION RESISTANT PER ASTM A484 & A582, CLASS 303, COND. A.
- DIELECTRIC: TEFLON PER ASTM D1710.

FINISH (ALL PER MIL-PRF-39012 & MIL-DTL-39030)

- INNER CONDUCTOR: GOLD PLATED PER MIL-PRF-39012.
- HOUSING/COUPLING NUT FINISH PER SUFFIX (REPLACING -0X IN MODEL #)
 - 00 OUTER CONDUCTOR / NUT BOTH GOLD PLATED
 - 02* OUTER CONDUCTOR / NUT BOTH PASSIVATED SS
 - 01 OUTER CONDUCTOR GOLD PLATED BUT NUT PASSIVATED SS
 - 0X-C APPENDING "-C" ADDS CHAIN ASSEMBLY, 2" - 2.5" LONG AVAILABLE ON 2001 AND 2003 SERIES

* Exception for the 200X-6151-02, Outer Is Gold Plated and Nut Is Passivated

FOR UNMARKED UNITS OR FOR CUSTOM MARKING CONTACT FACTORY FOR PART NUMBER / SUFFIX TO APPEND TO MODEL NUMBER

MEETS ALL ENVIRONMENTAL REQUIREMENTS IN MIL-DTL-39030/3

ELECTRICAL SPECIFICATIONS

| | |
|------------------------|--|
| Frequency Range | DC - 27 GHz (See Chart, Sht. 2) |
| VSWR: | SEE SHEET TWO |
| IMPEDANCE: | 50 OHMS |
| TEMPERATURE RANGE (°C) | -65 TO +125 OPERATING +150° STORAGE |

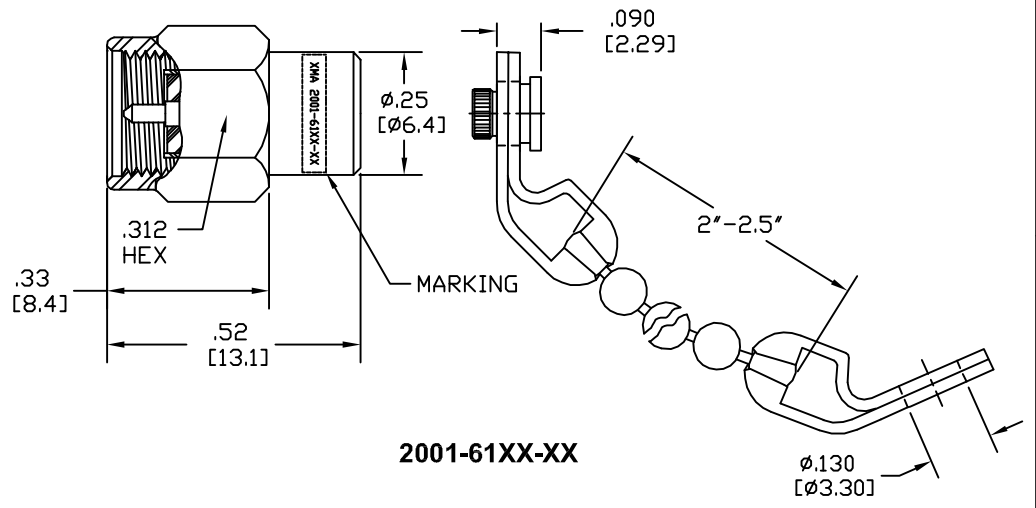
| | |
|--|-----------|
| POWER (AVG) | 1 WATT** |
| POWER (PEAK) (<5 m SEC PW, <1% DUTY CYCLE) | 500 WATTS |

**POWER DERATES LINEARLY FROM +45°C TO <10 % @+125°C

PRODUCTION RELEASE

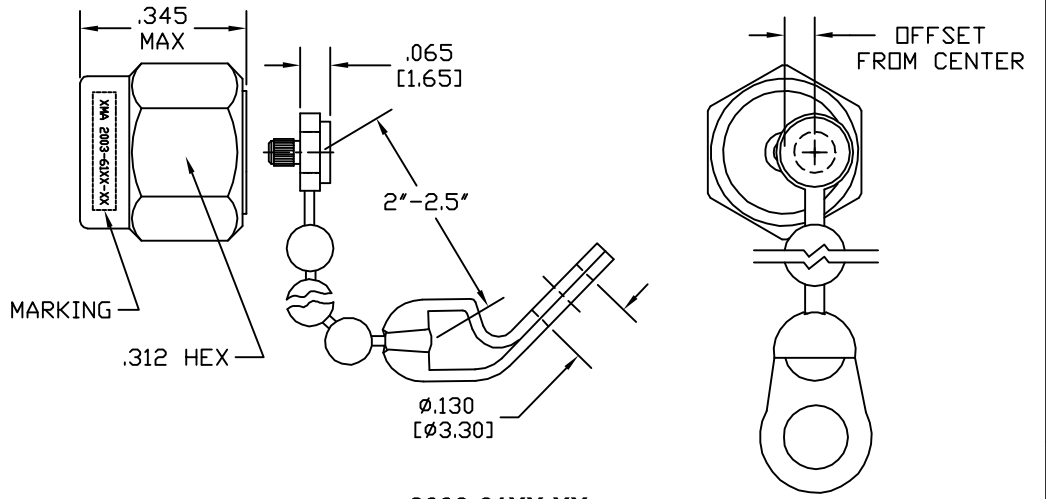
NOTE:
THIS DRAWING INCORPORATES THIRD ANGLE PROJECTION.
INTERPRET IAW ANSI Y14.5-1995

| REVISIONS | | |
|-----------|--|------------------|
| REV | DESCRIPTION | APPROVED |
| - | REVISED TO NEW LAYOUT & UPDATED FORMAT | 05/25/2011 D.S.S |



2001-61XX-XX

INTERFACES MATE / COMPLY WITH MIL-STD-348 FOR SMA



2003-61XX-XX

AVAILABLE WITH NUT WIRELOCK HOLES, CONTACT FACTORY

| | | |
|--|--|---|
| DRAWING PRACTICES PER ANSI Y14.5-1995 MIL-STD-100 & 1000 | UNLESS OTHERWISE SPECIFIED TOLERANCES IN DECIMALS INCH MM .XX .05 [1.3] .XXX .030 [7.6] .XXXX .015 [3.9] .XXXXX .0005 [0.13] | DATE DRAWN T. MAIN 05/16/2011 CHECKED D. SAUNDERS 05/25/2011 DATE D. SAUNDERS 05/25/2011 |
| FINISH SEE NOTES | ANGLES ± | THESE DRAWINGS AND SPECIFICATIONS ARE THE PROPERTY OF XMA CORP. / OMNI SPECTRA AND SHALL NOT BE REPRODUCED, COPIED, BORROWED, IN WHOLE OR IN PART, AS A BASIS FOR THE DESIGN, MANUFACTURE OR SALE OF OTHER ITEMS WITHOUT THE EXPRESS WRITTEN PERMISSION OF XMA CORP., CUSTOMERS AND VENDORS MAY COPY FOR INTERNAL REVIEW USE AS WEDED |
| MATERIALS SEE NOTES | UNLESS OTHERWISE NOTED DIAS CONCENTRIC <.003 T.I.R. | |

WWW.XMACorp.com Sales@XMACorp.com

XMA Omni **Spectra®**



XMA Corp. 150 Dow St. Manchester, NH 03045 (603) 222-2256 fax 222-2259

TITLE
**1 WATT SMA TERMINATION
DC TO 27 GHz**

| | | |
|--------------|-----------------------------|-------------------------|
| SIZE C | CAGE CODE 3HT76 | DWG NO. 2001-61XX-XX |
| SCALE 5:1 | PLATE OFF CD REF. B-CHFC | XXX SHEET 1 OF 2 |

| REVISIONS | | |
|-----------|--|------------------|
| REV | DESCRIPTION | APPROVED |
| - | REVISED TO NEW LAYOUT & UPDATED FORMAT | 05/25/2011 D.S.S |

| FREQUENCY (GHz) | AVERAGE POWER (WATTS) | VSWR DC - 4 (GHz) | VSWR 4 - 12.4 (GHz) | VSWR 12.4 - 18 (GHz) | VSWR 18 - 26.5 (GHz) | PART NUMBER |
|-----------------|-----------------------|---|---------------------|----------------------|----------------------|--------------|
| DC - 4.0 | 1.0 | DC-2 1.10:1 | - | - | - | 2001-6500-0X |
| | | 2-4 1.15:1 | - | - | - | 2001-6501-0X |
| | | DC-1 1.05:1 | - | - | - | 2001-6151-02 |
| | | 2-4 1.10:1 | - | - | - | 2003-6151-02 |
| DC - 12.4 | 1.0 | 1.05:1 | 1.05:1 | - | - | 2001-6116-0X |
| | | 1.05:1 | 1.05:1 | - | - | 2003-6116-0X |
| DC - 18.0 | 1.0 | 1.05:1 | 1.15:1 | 1.15:1 | - | 2001-6105-0X |
| | | 1.05:1 | 1.15:1 | 1.15:1 | - | 2001-6100-0X |
| | | 1.05:1 | 1.15:1 | 1.20:1 | - | 2001-6101-0X |
| | | 1.09:1 | 1.17:1 | 1.23:1 | - | 2001-6143-0X |
| | | 1.05:1 | 1.05:1 | 1.05:1 | - | 2001-6118-0X |
| | | 1.05:1 | 1.05:1 | 1.10:1 | - | 2001-6117-0X |
| | | 1.10:1 | 1.10:1 | 1.10:1 | - | 2001-6111-0X |
| | | 1.05:1 | 1.15:1 | 1.20:1 | - | 2001-6112-0X |
| | | 1.10:1 | 1.20:1 | 1.30:1 | - | 2001-6113-0X |
| | | 1.10:1 | 1.20:1 | 1.30:1 | - | 2001-6115-0X |
| | | 1.05:1 | 1.05:1 | 1.10:1 | - | 2003-6117-0X |
| | | 1.10:1 | 1.10:1 | 1.10:1 | - | 2003-6111-0X |
| | | 1.05:1 | 1.15:1 | 1.20:1 | - | 2003-6112-0X |
| | | 1.10:1 | 1.20:1 | 1.30:1 | - | 2003-6113-0X |
| 1.10:1 | 1.20:1 | 1.30:1 | - | 2003-6115-0X | | |
| DC - 26.5 | 1.0 | 1.05:1 | 1.10:1 | 1.20:1 | 1.30:1 | 2001-6110-0X |
| | | 1.05:1 | 1.10:1 | 1.20:1 | 1.30:1 | 2003-6110-0X |
| | | 1.05:1 + .007f (GHz) 1.05 @ DC to 1.24 @ 26.5 GHz | | | | 2001-6119-0X |


 Powered by: 

XMA Corp. 150 Dow St. Manchester, NH 03045 (603) 222-2256 fax 222-2259

TITLE
 1 WATT SMA TERMINATION
 DC TO 27 GHz

| | | |
|----------------|------------------------------|-------------------------|
| SIZE C | CAGE CODE 3HT76 | DWG NO. 2001-61XX-XX |
| SCALE 5 : 1 | PLATE OFF. EQ. REF. BENCH | XXX SHEET 2 OF 2 |