



EUROPEAN ANTENNAS

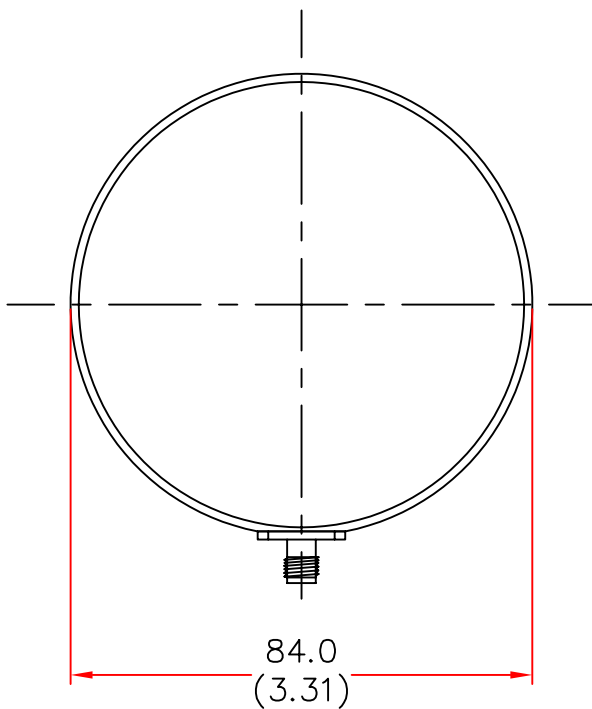


LOW PROFILE ANTENNA

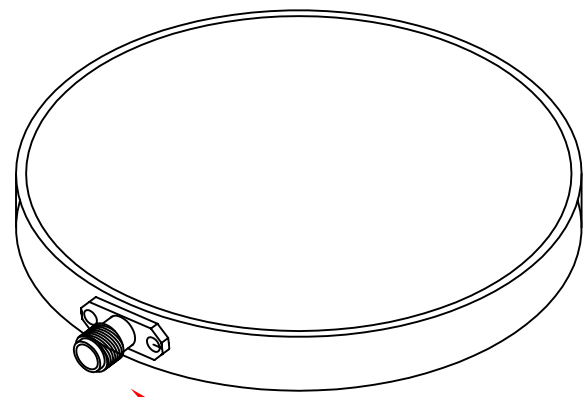
MODEL: LPA7-36R/272

FREQUENCY: 3.40 – 3.65 GHz	GAIN: 7 dBiC
POLARISATION: R.H. Circular	BEAMWIDTH: 80° x 80°
AXIAL RATIO: 2 dB Typical	VSWR: 1.5 : 1
POWER RATING: 5 W	FRONT TO BACK: 25 dB
TEMPERATURE: -20°C to +50°C	MASS: 100 g / 3.52 oz
RADOME: Glass Fibre/Matt Black	WIND LOADING: 0.9Kg/2.0lbs @100mph

PLAN VIEW

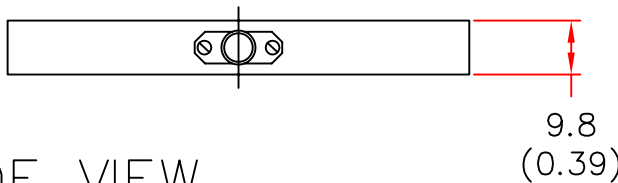


ISOMETRIC VIEW



SMA(F) CONNECTOR

SIDE VIEW



DIMENSIONS: mm (inches)

GA 272-1 Issued 281196

EUROPEAN ANTENNAS LTD.

TEL: +44 (0)1638 731888

LAMBDA HOUSE, CHEVELEY,
NEWMARKET, SUFFOLK, CB8 9RG,
UNITED KINGDOM.

FAX: +44 (0)1638 731999

European Antennas Ltd. has a policy of continuous development and therefore stress that the data contained on this sheet should be used for guidance only.