



TECHNICAL DATA SHEET

PE9159

75 Ohm F Male to F Male Adapter
Configuration

Connector 1	F Male
Impedance 1	75 Ohms
Connector 2	F Male
Impedance 2	75 Ohms
Adapter Design	Standard
Body Style	Straight

Mechanical Specifications
Size

Length, in [mm]	1.14 [28.96]
Width/Dia., in [mm]	0.438 [11.13]

Connector 1

Type	F Male
Inner Conductor Material and Plating	Brass, Nickel
Coupling Nut Material and Plating	Brass, Nickel
Hex Size, in.	7/16
Torque, in-lbs [Nm]	15 [1.7]
Body Material and Plating	Brass, Nickel
Dielectric Type	Delrin

Connector 2

Type	F Male
Inner Conductor Material and Plating	Brass, Nickel
Coupling Nut Material and Plating	Brass, Nickel
Hex Size, in.	7/16
Torque, in-lbs [Nm]	15 [1.7]
Body Material and Plating	Brass, Nickel
Dielectric Type	Delrin

Compliance Certifications (visit www.Pasternack.com for current document)

RoHS Compliant	Yes
----------------	-----

Plotted and Other Data

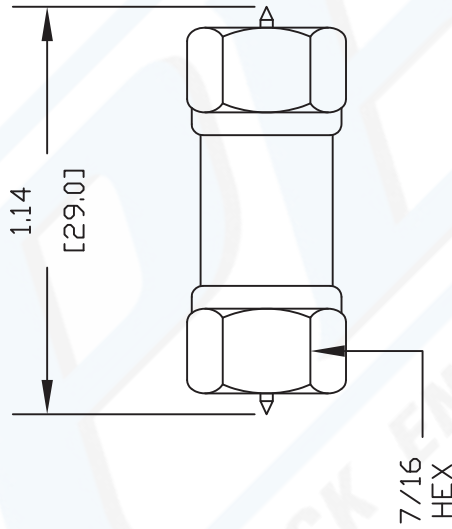
Notes:	Values at 25 °C, sea level
--------	----------------------------

 URL: <http://www.pasternack.com/f-male-f-male-straight-adapter-pe9159-p.aspx>

75 Ohm F Male to F Male Adapter from Pasternack Enterprises has same day shipment for domestic and International orders. Our RF, microwave and fiber optic products maintain a 99% availability and are part of the broadest selection in the industry.

The information contained in this document is accurate to the best of our knowledge and representative of the part described herein. It may be necessary to make modifications to the part and/or the documentation of the part, in order to implement improvements. Pasternack reserves the right to make such changes as required. Unless otherwise stated, all specifications are nominal.

PE9159 CAD Drawing
75 Ohm F Male to F Male Adapter



DWG TITLE

PE9159

NOTES:
1. UNLESS OTHERWISE SPECIFIED ALL DIMENSIONS ARE NOMINAL.
2. ALL SPECIFICATIONS ARE SUBJECT TO CHANGE WITHOUT NOTICE AT ANY TIME.
3. DIMENSIONS ARE IN INCHES [mm].

REV. -

FSCM NO. 53919

CAD FILE 082802

SCALE N/A

SIZE A

127



PASTERNAK®
Pasternack Enterprises, Inc.
P.O. Box 16759 | Irvine | CA | 92623

Phone: (949) 261-1920 | Fax: (949) 261-7451

Website: www.pasternack.com | E-Mail: sales@pasternack.com