

KR Electronics, Inc.

General Description

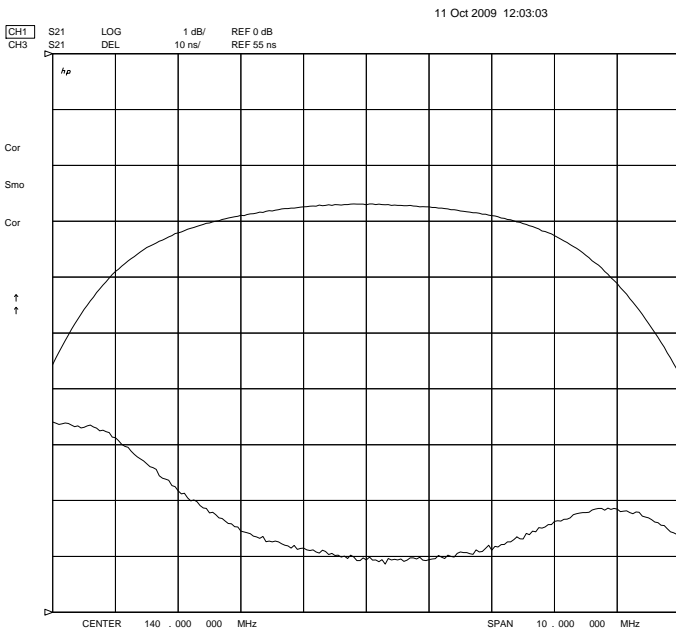
KR Electronics part number 2451-S+ is a 140 MHz bandpass filter. The filter has a minimum 3 dB bandwidth of 7 MHz. Other center frequencies and bandwidths available. Please consult the factory.

Features

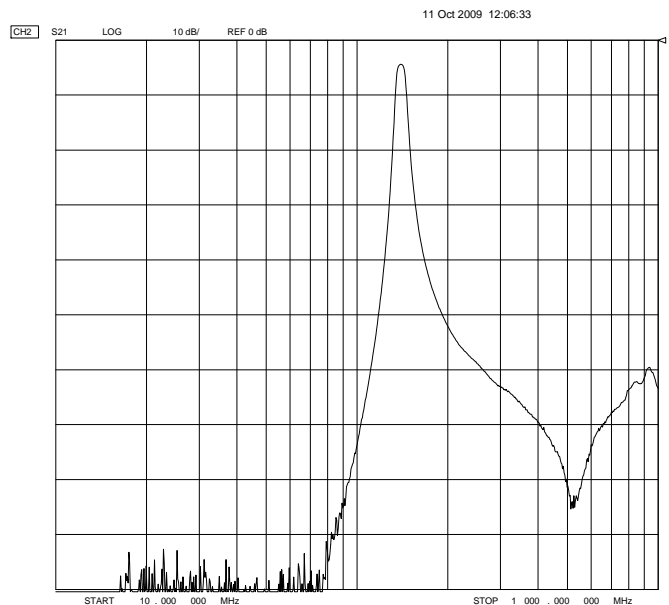
- 140 MHz Bandpass
- Minimum 3 dB Bandwidth of 7 MHz typical 10 MHz
- Surface Mount
- RoHS Compliant
- Other configuration available
- 50 Ω Source and Load

Typical Performance

Passband Amplitude & Group Delay
(1 dB/div & 10 nsec/div)



Overall Response
(10 dB/div)



KR Electronics, Inc.
91 Avenel Street
Avenel, NJ 07001

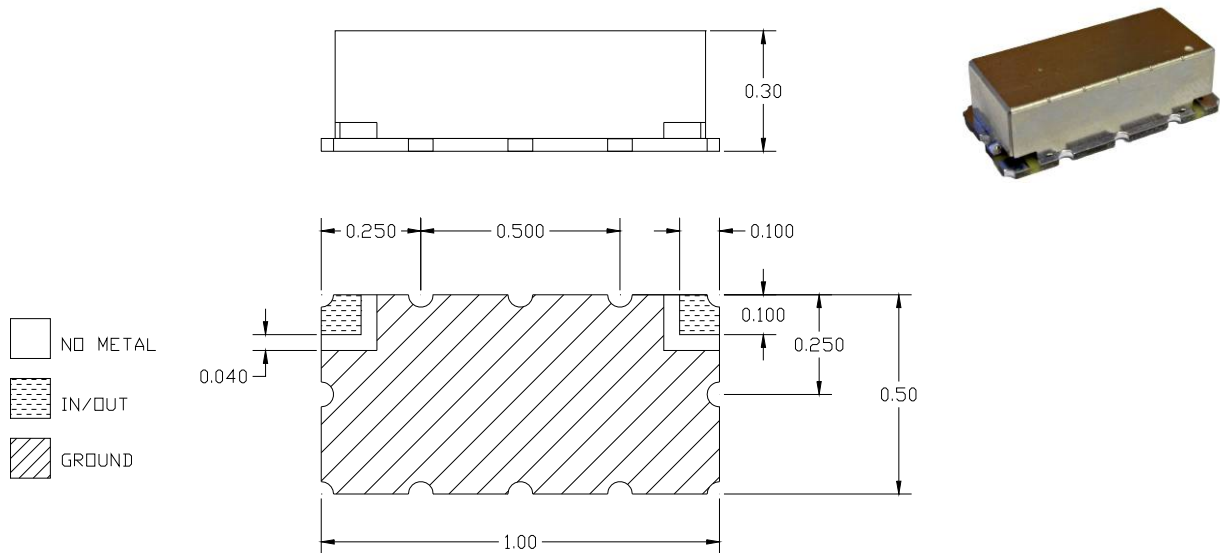
Web www.krfilters.com
Email sales@krfilters.com
Phone (732) 636-1900
Fax (732) 636-1982

KR Electronics 2451-S+

Specifications

Parameter	Specification
Filter type	Bandpass
Center Frequency	140 MHz
Insertion Loss	< 5 dB (2.8 dB typical)
1 dB Bandwidth	7 MHz min (10 MHz typical)
40 dB Bandwidth	72 MHz max (55 MHz typical)
Source and Load	50 Ω
RoHS Compliant	Yes

Physical Dimensions



Notes:

1. Surface mount package
2. Dimensions in inches
3. Max reflow temperature 230° C for 10 sec
4. If boards are cleaned after installation units must be completely dried

KR Electronics, Inc.
91 Avenel Street
Avenel, NJ 07001

Web www.krfilters.com
Email sales@krfilters.com
Phone (732) 636-1900
Fax (732) 636-1982