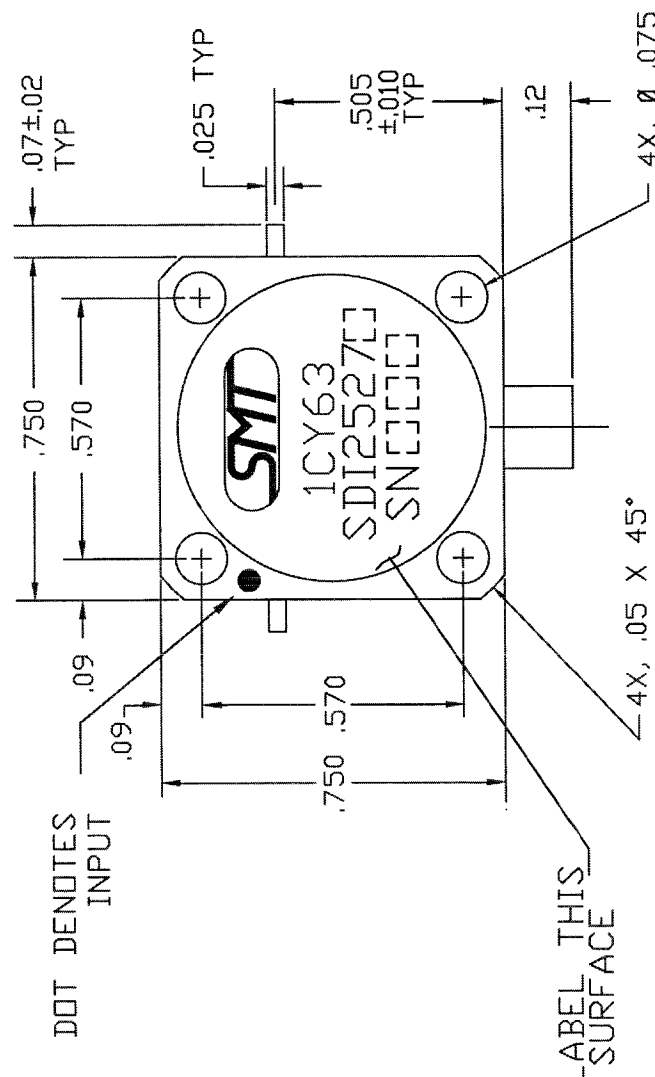


COMPUTER GENERATED DRAWING MANUAL CHANGES NOT AUTHORIZED		REVISIONS	
REV.	DESCRIPTION	DATE	RELEASED BY
NC	INITIAL RELEASE	5/1/89	T.R.
A	REV PER EDN 5515 & 6966		



SEE CHART

SPECIFICATIONS

1. FREQUENCY RANGE 2.50 TO 2.70
2. VSWR 1.25: 1 MAX
3. ISOLATION 20dB MIN
4. INSERTION LOSS .04 dB MAX
5. TEMPERATURE RANGE  
OPERATING -54° TO +100°C  
STORAGE -54° TO +100°C
6. LOAD RATING  
4 WATTS MIN.  
Ø85°C HEATSINK TEMPERATURE

TAB HEIGHT TABLE	
OPTION NO.	HEIGHT (NOM)
A	.065
B	.075
C	.090
D	.100
E	.120

ITEM	QTY	FROM	PART	MANUFACTURER	DESCRIPTION	SCALE

CONTRACT NO.		DATE	
		APPROVALS	4/28/89
		R. BURNS	
		T.R.	5/1/89
		MAX. & PRODUCTION	
		U.I.	

PARTS LIST		TITLE:	
DO NOT SCALE DRAWING		SIERRA MICROWAVE TECHNOLOGY	
APPLICATION		OUTLINE FOR	
203-0037-001		SDI2527X	
LIST OF MATL		USED ON	
SDI2527X		BY	
		A	
		REV	
		205-0648-001	
		DRG NO.	
		B	
		SIZE	
		1CY63	
		REV	
		A	
		REV	
		A	

2. CASE: STAINLESS STEEL NICKEL PLATED.  
 TABS ARE .005±.001 THK. Be Cu, GOLD PLATED.
- NOTES:  
 1. LABEL THIS SURFACE