

# COUPLER DIRECTIONAL 230 WATT

HybriX®



DATA SHEET

PART SERIES: D3MD20F

SHEET 1 OF 3  
Dwg D3MD20F

EN 13-3456  
Revision -

## FEATURES

- Low Profile Surface Mount Package
- High Power
- Low Insertion Loss
- High Directivity
- High Reliability

## APPLICATIONS

- Power Amplifiers
- Power Monitors
- Reflectometers
- Signal Distribution Networks
- Antenna Feeds
- Switch Networks

## GENERAL DESCRIPTION

EMC Technology offers high performance directional couplers in a low profile, surface mount package. These couplers are designed for demanding applications where high power, low loss and excellent directivity are required.



## ORDERING INFORMATION

**Part Identifier:** D3MD20F

## SPECIFICATIONS

### 1.0 ELECTRICAL

Frequency	Coupling	Insertion Loss	VSWR	Directivity	Power Handling
700 to 1000 MHz	20 ± 1.0 dB	0.075 dB Max	1.12:1 Max	23 dB Min	230 Watts CW

### 2.0 ENVIRONMENTAL

Operating Temperature: -55°C to +125°C

### 3.0 MARKING

HybriX, Part Number and Pin 1 Indicator

### 4.0 QUALITY ASSURANCE

**Sample Inspect Per MIL-STD-105, Level II, 1.0% AQL.**

Visual and Mechanical Examination for Conformance To Outline Drawing Requirements.  
Measure Amplitude Balance and VSWR

**Test Data Requirements**

No Test Data Required  
Data Retention – 12 months

### 5.0 PACKAGING

Standard: Tape and Reel

*Note: Specifications are subject to change.*

# COUPLER DIRECTIONAL 230 WATT

HybriX®



DATA SHEET

PART SERIES: D3MD20F

SHEET 2 OF 3  
Dwg D3MD20F

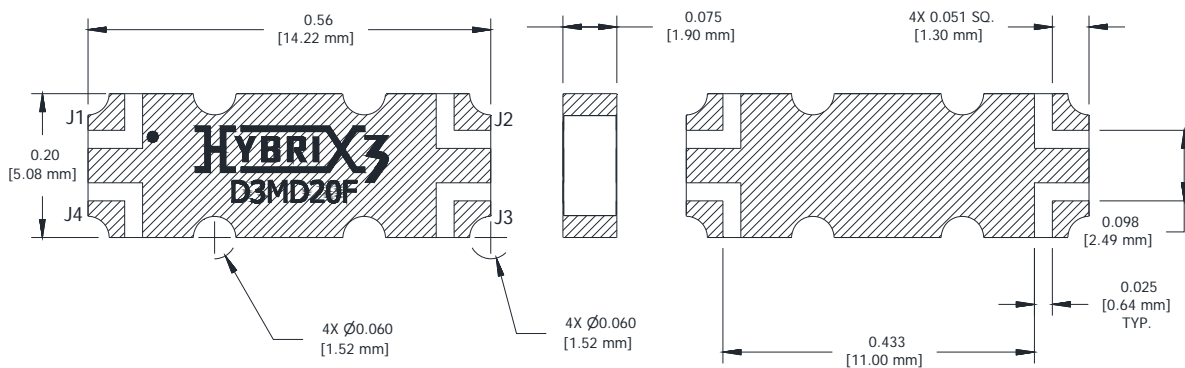
EN 13-3456  
Revision -

## 6.0 MECHANICAL

Substrate:: LTCC  
 Conductor: Silver  
 Plating: Gold  
 Application Note: AN0030 (General Hybrid and Directional Coupler)

## PIN CONFIGURATION

Port	J1	J2	J3	J4
J1	-	Out	Iso	Coup
J2	Out	-	Coup	Iso
J3	Iso	Coup	-	Out
J4	Coup	Iso	Out	-



Unless Otherwise Specified: TOLERANCE: X.XX = ± 0.01 X.XXX = ± 0.005

Metric dimensions are provided for reference only.

Note: Specifications are subject to change.

# COUPLER DIRECTIONAL 230 WATT

HybriX®



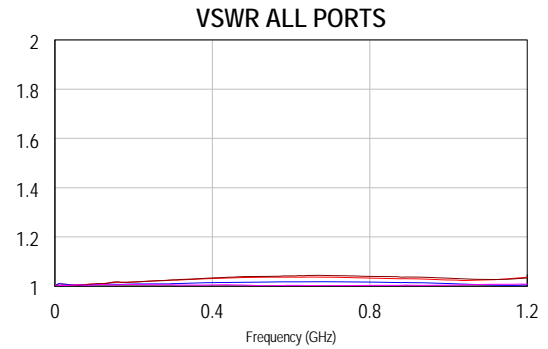
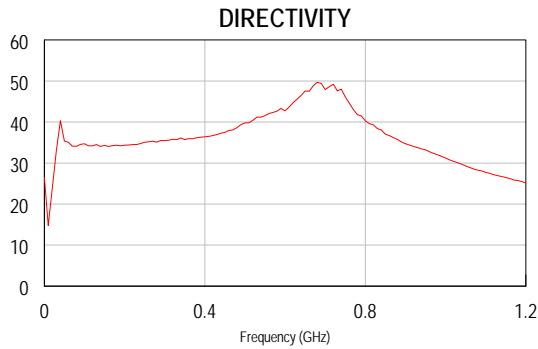
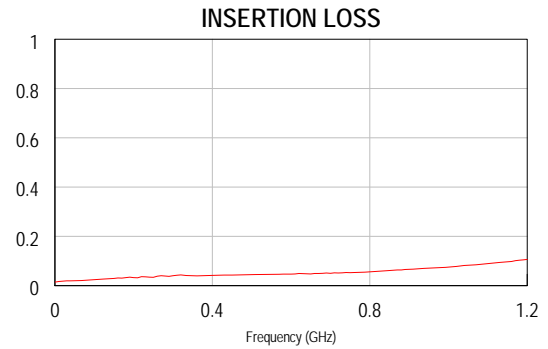
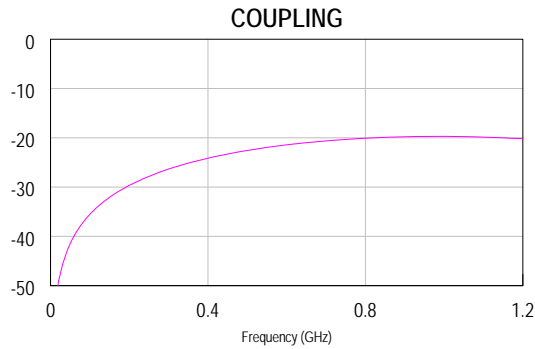
DATA SHEET

PART SERIES: D3MD20F

SHEET 3 OF 3  
Dwg D3MD20F

EN 13-3456  
Revision -

## 7.0 TYPICAL PERFORMANCE AT 25°C



Note: Specifications are subject to change.