



DC Block on Outer Conductor 75 Ohm N Male to N Female Operating From 100 MHz to 4 GHz

TECHNICAL DATA SHEET

PE8235

DC Block on Outer Conductor 75 Ohm N Male to N Female Operating From 100 MHz to 4 GHz

Configuration

Design	Outer DC Block
Body Style	Straight
Impedance	75 Ohms
Connector 1	N Male
Connector 2	N Female

Electrical Specifications

Frequency Range, GHz	0.1 to 4
Impedance, Ohms	75
Maximum VSWR	1.35:1
Maximum Insertion Loss, dB	0.5
Maximum Operating Voltage, Vrms	200

Mechanical Specifications

Temperature

Operating Range, deg C	-65 to +125
------------------------	-------------

Size

Length, in [mm]	1.9 [48.26]
Width/Dia., in [mm]	0.8 [20.32]

Connector 1

Type	N Male
Inner Conductor Material and Plating	Beryllium Copper, Gold
Coupling Nut Material and Plating	Passivated Stainless Steel
Body Material and Plating	Passivated Stainless Steel

Connector 2

Type	N Female
Inner Conductor Material and Plating	Beryllium Copper, Gold
Outer Conductor Material and Plating	Passivated Stainless Steel
Body Material and Plating	Passivated Stainless Steel

Compliance Certifications (visit www.Pasternack.com for current document)

RoHS Compliant	Yes
----------------	-----

Click the following link (or enter part number in "SEARCH" on website) to obtain additional part information including price, inventory and certifications: [DC Block on Outer Conductor 75 Ohm N Male to N Female Operating From 100 MHz to 4 GHz PE8235](#)

The information contained in this document is accurate to the best of our knowledge and representative of the part described herein. It may be necessary to make modifications to the part and/or the documentation of the part, in order to implement improvements. Pasternack reserves the right to make such changes as required. Unless otherwise stated, all specifications are nominal.





DC Block on Outer Conductor 75 Ohm N Male to N
Female Operating From 100 MHz to 4 GHz

TECHNICAL DATA SHEET

PE8235

Plotted and Other Data

Notes:

Values at 25 °C, sea level

75 Ohm Type N Connectors Mate Only With Other 75 Ohm Type N Series. Mating With 50 Ohm Type N Connectors May Cause Damage.

DC Block on Outer Conductor 75 Ohm N Male to N Female Operating From 100 MHz to 4 GHz from Pasternack Enterprises has same day shipment for domestic and International orders. Our RF, microwave and fiber optic products maintain a 99% availability and are part of the broadest selection in the industry.

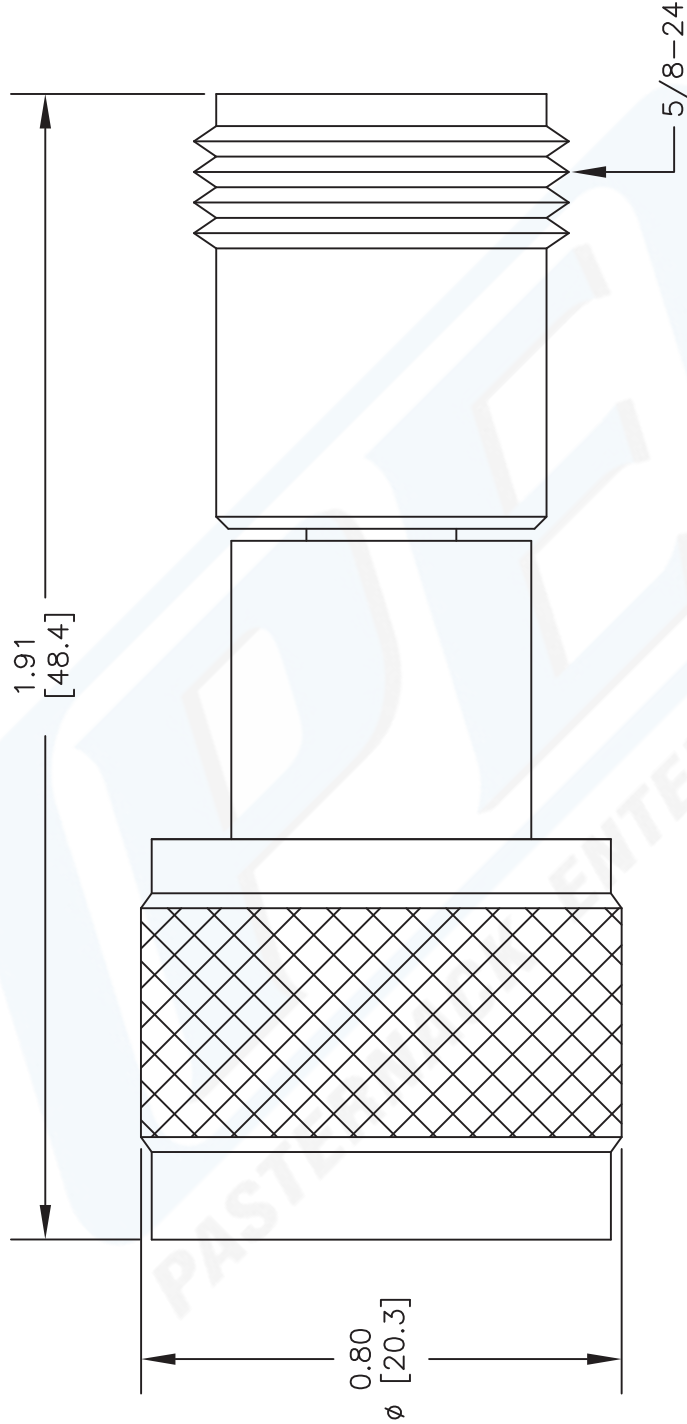
Click the following link (or enter part number in "SEARCH" on website) to obtain additional part information including price, inventory and certifications: [DC Block on Outer Conductor 75 Ohm N Male to N Female Operating From 100 MHz to 4 GHz PE8235](http://www.pasternack.com/dc-block-n-male-to-n-female-100-mhz-4-ghz-pe8235-p.aspx)

URL: <http://www.pasternack.com/dc-block-n-male-to-n-female-100-mhz-4-ghz-pe8235-p.aspx>

The information contained in this document is accurate to the best of our knowledge and representative of the part described herein. It may be necessary to make modifications to the part and/or the documentation of the part, in order to implement improvements. Pasternack reserves the right to make such changes as required. Unless otherwise stated, all specifications are nominal.

PE8235 CAD Drawing

DC Block on Outer Conductor 75 Ohm N Male to N
Female Operating From 100 MHz to 4 GHz



NOTES:
1. UNLESS OTHERWISE SPECIFIED ALL DIMENSIONS ARE NOMINAL.
2. ALL SPECIFICATIONS ARE SUBJECT TO CHANGE WITHOUT NOTICE AT ANY TIME.
3. DIMENSIONS ARE IN INCHES [mm].

DWG TITLE

PE8235

FSCM NO. 53919

2233

SIZE A

SCALE N/A

CAD FILE 110812-A



Pasternack Enterprises, Inc.
P.O. Box 16759 | Irvine | CA | 92623
Phone: (949) 261-1920 | Fax: (949) 261-7451
Website: www.pasternack.com | E-Mail: sales@pasternack.com