

# 1350 to 1550MHz – Band Pass Filter

## Design Features

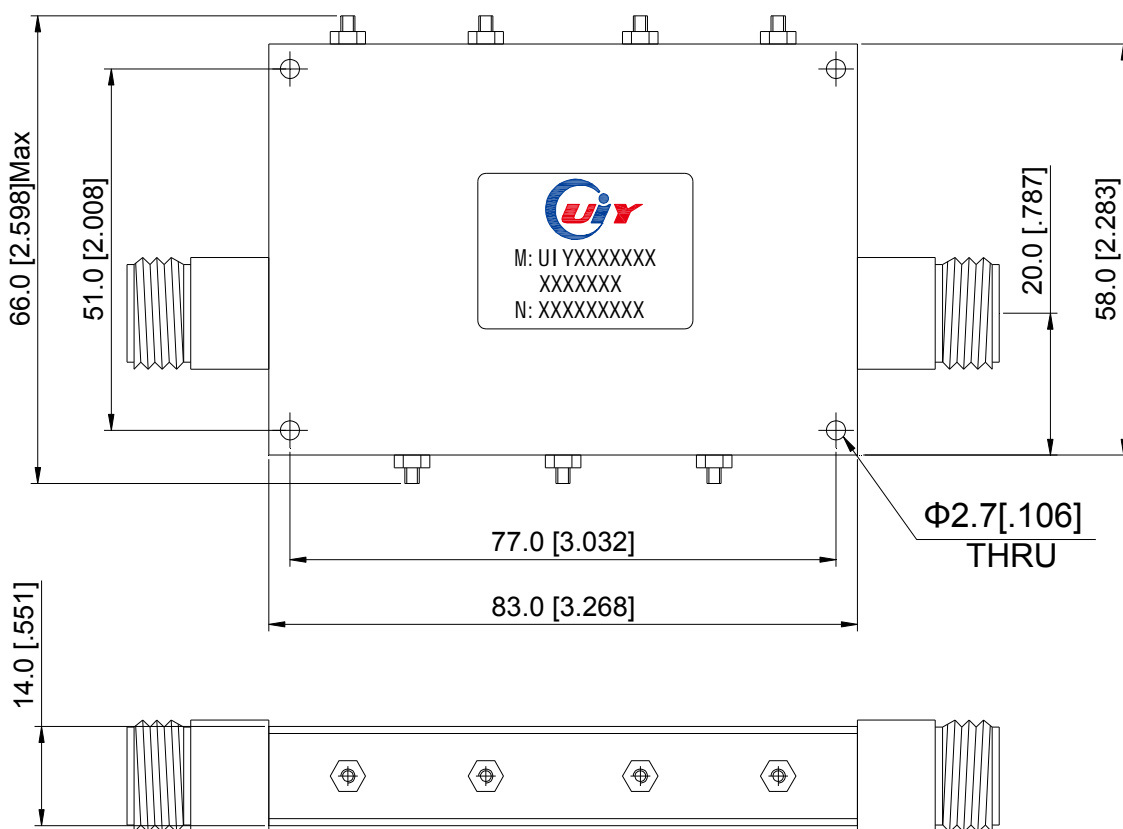
- ◆ High RF performance, ultra-competitive price.
- ◆ Military, space and commercial applications.
- ◆ Custom design available upon request.
- ◆ Guaranteed for one year standard.

## RF Characteristics

Model Number	Pass Band (MHz)	Insertion Loss Max(dB)	VSWR Max	Rejection	Power (W)	Connector Type	Temp.(°C)
UIYBPF8366A1350T1550NF	1350 ~ 1550	1.5	1.45	40dB @800MHz 40dB @1800MHz	100	N-F	-40 ~ +85
UIYBPF8366A1350T1550SF	1350 ~ 1550	1.5	1.45	40dB @800MHz 40dB @1800MHz	100	SMA-F	-40 ~ +85

- 2 Listed are specific frequency ranges and other ranges are available.  
 2 Please provide the below informations when inquiring and mark \* is required.  
 \* 1. The specific pass band frequency range  
 \* 2. The specific rejection and frequency  
 3. Other special requests (such as Insertion Loss, VSWR, Connector Type, Dimension, etc.)

## Mechanical Drawing



Unit: mm/ inch, General part tolerance is  $\pm 0.2$ mm unless otherwise stated.

Ver. 5

A2-5G, Zhujiang Plaza, Longxiang Blvd, Longgang District, Shenzhen 518172, China.

Tel: +86-755-25999990 25999909 Fax: +86-755-25999959 E-mail: sales@uiy.com Web: www.uiy.com