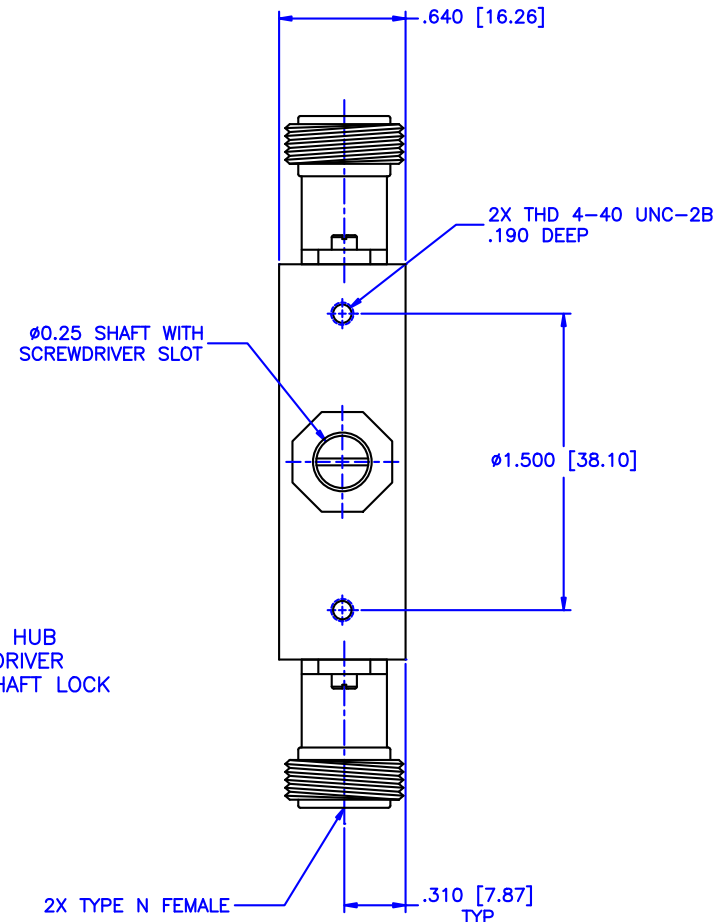
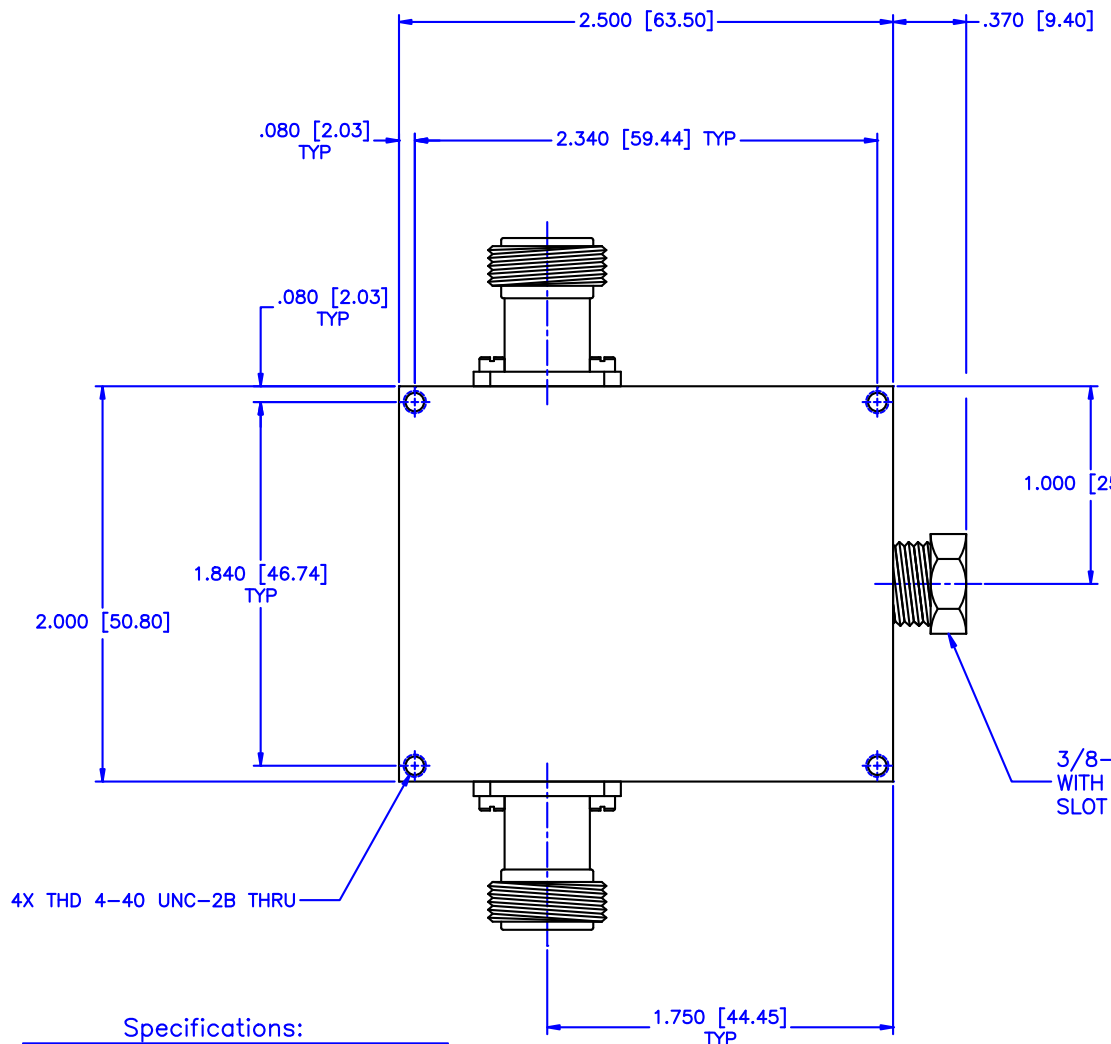


REVISIONS				
ZONE	REV	DESCRIPTION	DATE	APPROVED



Specifications:

Frequency Range: 6-18 GHz
 Attenuation: 30dB
 Insertion Loss: 0.5 Max.
 VSWR: 1.50:1
 RF Power: 7W Average, 3kW Peak

Environmental:

Temperature range: -55°C to +110°C
 Shock: 15 G's, 11mS, 1/2 sine
 Vibration: 3 G's overall
 Altitude: 40,000 ft. Survival 25,000ft Operating

MATERIAL:		MICROWAVE COMMUNICATIONS LABORATORIES INC. 7255 30TH AVE. N. SAINT PETERSBURG, FL 33710 TEL: (727) 344-6254 FAX: (727) 381-6116 http://WWW.MCLI.COM		SCALE:	N/A
		UNLESS OTHERWISE SPECIFIED: TOLERANCES IN (INCHES) OR [mm] (MILLIMETERS) FRACTIONS: ± 1/64 DECIMALS: ± 0.01 ± 0.005 ANGLE: ± 1/2°		SHEET:	N/A
DRAWN:		DATE:		DRAWING TITLE:	
Paiboon Luekhamhan		02-08-2011		CONTINUOUSLY VARIABLE ATTENUATOR	
APPROVED:		DATE:		PART NO.:	
T. Nguyen		02-08-2011		CVA22-30/NF	
THIRD ANGLE PROJECTION		CAGE CODE:	SIZE:	REV:	DWG NO.:
		0D2L5	A	N/A	85431
DO NOT SCALE THE DRAWING					