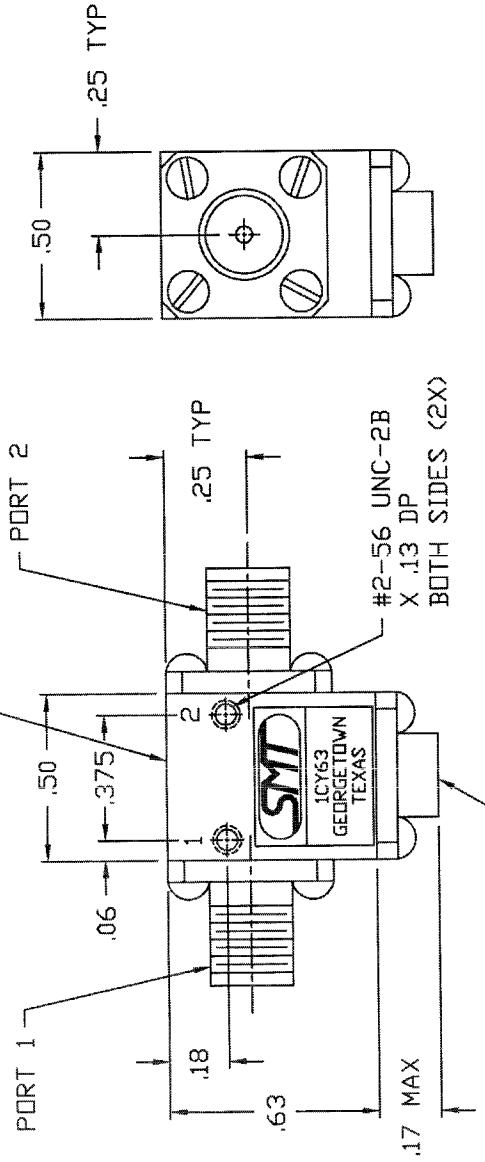


COMPUTER GENERATED DRAWING
MANUAL CHANGES NOT AUTHORIZED

REVISIONS

REV.	DESCRIPTION	DATE	RELEASED BY
NC	INITIAL RELEASE	4-7-97	T.R.
A	BLANKET ECR# 6966		

LABEL WITH
MODEL NO. AND SERIAL NO
THIS SURFACE



SPECIFICATIONS:

1. FREQUENCY..... 35.0 TO 40.0 GHz
2. VSWR..... 1.40:1 MAX
3. ISOLATION..... 16 dB MIN
4. INSERTION LOSS..... 1.0 dB MAX
5. TEMPERATURE:
OPERATING..... -54° TO +85°C
STORAGE..... -54° TO +85°C

CONNECTOR ORIENTATION

DASH NO.	PORT 1	PORT 2	PORT 3
NONE	2.9mm FEMALE	2.9mm FEMALE	TERMINATED
-1	2.9mm MALE	2.9mm FEMALE	TERMINATED
-2	2.9mm FEMALE	2.9mm MALE	TERMINATED
-3	2.9mm MALE	2.9mm MALE	TERMINATED

*** NOTE: PART DRAWN IS SMI3540, NO DASH NO. ***

ITEM	QTY	FROM	PART OR	IDENTIFICATION	MATERIAL
REQ'D	NO.	NO.	DESCRIPTION	NO.	SPECIFICATION
PARTS LIST					
<p>STANDARD CONNECTIONS SPECIFIED AND DIMENSIONS ARE IN INCHES DIMENSIONS IN PARENTHESES ARE ALTERNATE DIMENSIONS UNLESS INDICATED OTHERWISE UNLESS OTHERWISE SPECIFIED FINISH: 304 SS & 304L 304L</p>					
CONTRACT NO.		<p>SMT SIERRA MICROWAVE TECHNOLOGY</p>			
APPROVALS		TITLE: OUTLINE FOR SMI3540-X			
DATE		DATE			
4-7-97		4-7-97			
V.D.A.		T.R.			
MAX. & PROCESSING		SHEET			
SHEET		OF			
SIZE		DWG NO.		REV	
B		205-2576-001		A	
SCALE		BOOK		REV	
DO NOT SCALE DRAWING		SCALE		A	
APPLICATION		<p>204-0367-001 SMI3540-3</p> <p>204-0366-001 SMI3540-1&2</p> <p>204-0327-001 SMI3540</p> <p>LIST OF MAT'L USED ON</p>			