

# PSA-0818R/1308



## Spiral Antenna

The most important thing we build is trust

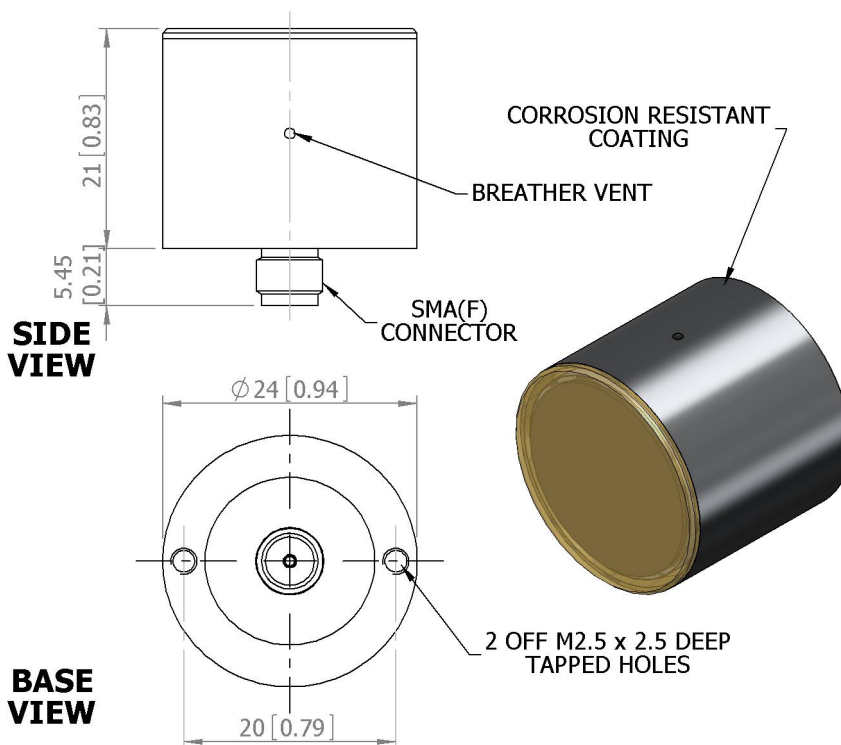
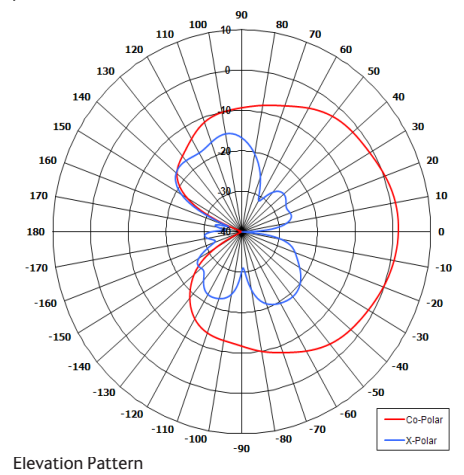
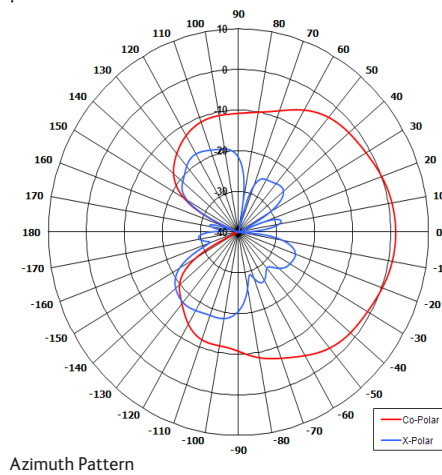
Designed for Electronic Warfare Applications

Designed for DF Arrays

Pattern - Directional

Phase Matching Available

Amplitude Matching Available



### ELECTRICAL

Frequency	8.00 - 18.00 GHz
Gain	4 dBiC Nom
Polarisation	Right Hand Circular
Beamwidth	90° (Az) x 90° (El) to 2 dBiC point typical
Axial Ratio	3 dB Typ
VSWR	2:1
Power Rating	1 W
Front to Back	25 dB Min

### MECHANICAL

Standard Finish	Silver plated body, dark brown radome
Mass	22 g (0.77 oz)
Temperature	-50° to +55°C
Wind Loading	N/A

### MOUNTING OPTIONS

Kits Available	N/A
See separate data sheets	

### ADDITIONAL NOTES

Issued 141111

European Antennas Limited trading as Cobham Antenna Systems, Microwave Antennas

European Antennas Limited has a policy of continuous development and stress that the information provided is a guide only and does not constitute an offer or contract or part thereof. Whilst every effort is made to ensure the accuracy of the information contained in this brochure, no responsibility can be accepted for any errors or omissions.

The copyright of antenna designs and images is copyright protected and owned by European Antennas Limited.  
©European Antennas Limited

For further information please contact:

Cobham Antenna Systems, Microwave Antennas  
Lambda House, Cheveley,  
Newmarket, Suffolk CB8 9RG, UK.  
Tel +44 (0)1638 732 177  
Fax +44 (0) 1638 731999  
Email newmarket.sales@cobham.com