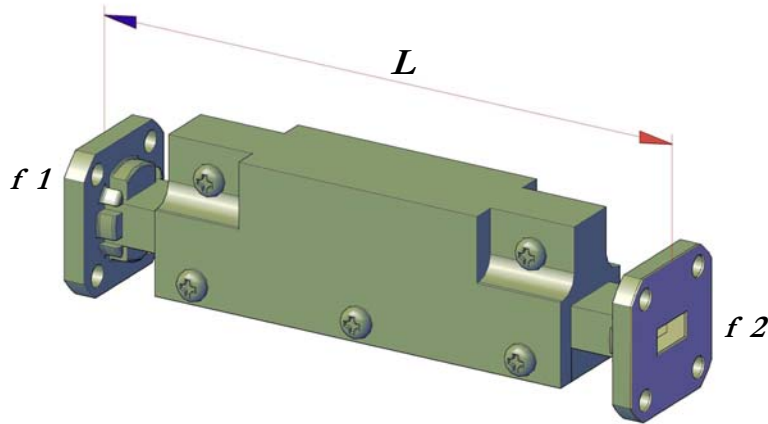


Rectangular Waveguide Low Power Fixed Attenuator



Model	WR #	Frequency (GHz)	Length (L)
WAFL28-	28	26.50 - 40.00	3.00
WAFL34-	34	22.00 - 33.00	3.00
WAFL42-	42	18.00 - 26.50	3.25
WAFL51-	51	15.00 - 22.00	3.25
WAFL62-	62	12.40 - 18.00	3.50
WAFL75-	75	10.00 - 15.00	3.50
WAFL90-	90	8.20 - 12.40	3.50

Model	WR #	Frequency (GHz)	Length (L)
WAFL102-	102	7.00 - 11.00	3.50
WAFL112-	112	7.05 - 10.00	3.50
WAFL137-	137	5.85 - 8.20	4.00
WAFL159-	159	4.90 - 7.05	5.00
WAFL187-	187	3.95 - 5.85	6.00
WAFL229-	229	3.30 - 4.90	7.00
WAFL284-	284	2.60 - 3.95	8.00

Space Machine offers a standard product line of low power fixed attenuators covering waveguide sizes WR28 thru WR284. VSWR is held to 1.10:1 while flatness is held to ± 1.5 dB over the full waveguide band. The maximum power rating for all sizes is 1 watt average. Additional sizes and configurations are available upon request.

Ordering Information:

Waveguide Low Power Fixed Attenuator, Example part number:
 WR112, 10dB Attenuation, Bronze,
 Choke / Cover, Chromated, Paint Space Machine Gray.

WAFL	wr	-a	m	f1 f2	-p	f
WAFL	112	-10	B	-02 01	-C	P

Series (WAFL):

Waveguide Size (wr): WR28 thru WR284

Attenuation (-a): 3 – 40 dB

Material (-m): A – Aluminum, B – Bronze, C – OFHC Copper, O – Other

Flange (f1 f2): See [Appendix G](#)

Plating (-p): C – Chromate, S – Silver, G – Gold, O – Other, N – None

Finish (f): P – Paint Space Machine Gray, N – None, O – Other