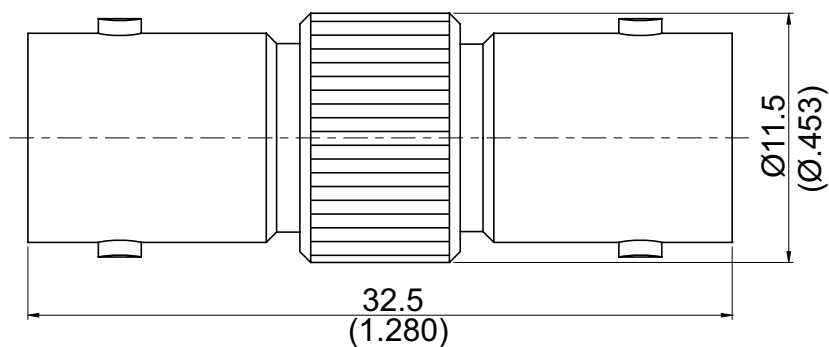


AD-BH8BH8-75

BNC HDTV Jack To BNC HDTV Jack 75Ω



Typical VSWR

Part Number	1~2 GHz	3~4GHz
AD-BH8BH8-75	1.1	1.19

Parts	Material	Plating (Micro-inch)
Contact Pin	Phosphor Bronze	Gold 4 Over Nickel Phosphorous Alloy 80 Over Copper 20
Insulator	Teflon	
Body	Brass	Tin-Zinc-Copper-Alloy 100 Over Copper 50

Weight:

This part number complies with RoHS.

Notice: JYEBAO reserves the right to make modifications deemed appropriate.