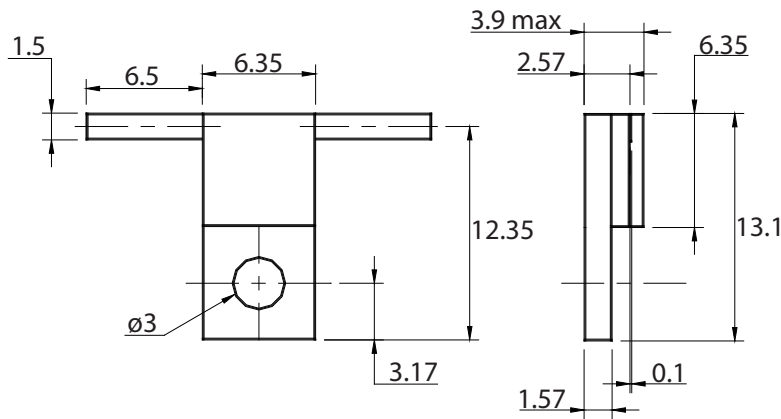
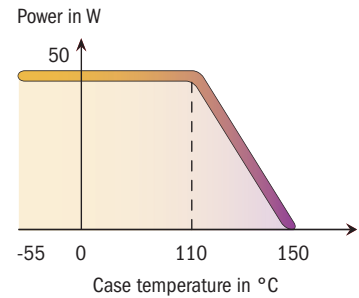




Standards
NF C 96-315
MIL-DTL-3933



Substrate	BeO
Resistive film	Thick film
Tab	Ag
Mounting flange/Plating	Cu/Ni
Cover substrate	Al ₂ O ₃



Dimensions in mm

P/N	Attenuation* (dB)	Frequency (GHz)	Power (W)	Impedance (Ω ± 5%)	Max VSWR	Accuracy ±Δα (dB)
16-6822	1	3	50	50	1.25	0.3
16-6817	2	3	50	50	1.25	0.3
16-6818	3	3	50	50	1.25	0.3
16-6819	4	3	50	50	1.25	0.3

mm	inch
0.1	0.004
1.5	0.059
1.57	0.062
3	0.118
3.17	0.125
3.9	0.153
6.35	0.250
6.5	0.256
12.35	0.486
13.1	0.516

* Others values on request