

TERMINATION 18GHZ N-MALE

STN1811

SPECIFICATIONS

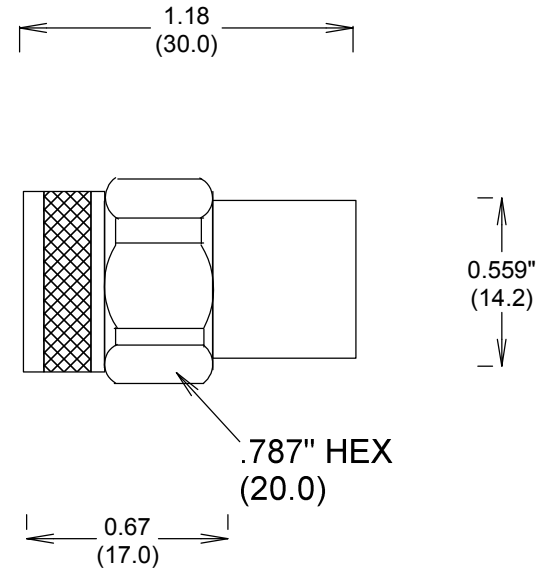
ELECTRICAL:

FREQUENCY: 0-18 GHZ
 VSWR @ 18 GHZ: 1.25:1 MAX
 POWER (AVG) 2 WATTS @ 25 DEG C
 DERATES LINEARLY TO 1W @ 125 DEG C
 POWER (PEAK) 1KW/50 MICRO-S
 IMPEDANCE: 50 OHMS
 OP. TEMP RANGE: -55C- +125C

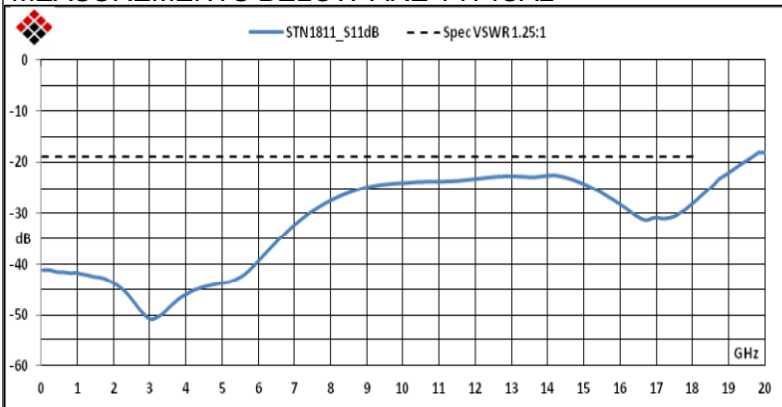
MECHANICAL:

MATERIAL BODY: BRASS w TRI-METAL PLATING
 CENTER CONTACT: GOLD PLATED PER 30μ-in
 RESISTIVE ELEMENT: THIN FILM ON ALUMINA SUBSTRATE
 INTERFACE: MIL-STD-883

ROHS COMPLIANT



MEASUREMENTS BELOW ARE TYPICAL



ALL DIMENSIONS IN inches(MM) Typical

FAIRVIEW MICROWAVE INC.

ALLEN, TX 75013 WWW.FAIRVIEWMICROWAVE.COM

TITLE

TERMINATION 18GHZ N-MALE

SIZE	CAGE CODE	DWG NO	REV
A	3FKR5	STN1811	B

SCALE	SHEET
-------	-------