



# RF-LAMBDA

The power beyond expectations

## 80W MANUAL CONTROL CONTINUOUS VARIABLE ATTENUATORS (900M-4GHZ 20DB RANGE)

### Product description

- Very small package and broadband performance
- Continuous variable attenuation during operation
- Excellent Repeatability and Long Life Switch
- Low Deviation from Nominal Value
- 50Ω impedance standard upon request
- High power handle up to 80W CW upon request
- Custom Configurations Available Upon Request.



### Applications:

Include Communication, 3G, Digital Transmission, Radar, Military, Broadcast & Television, science & Research etc.

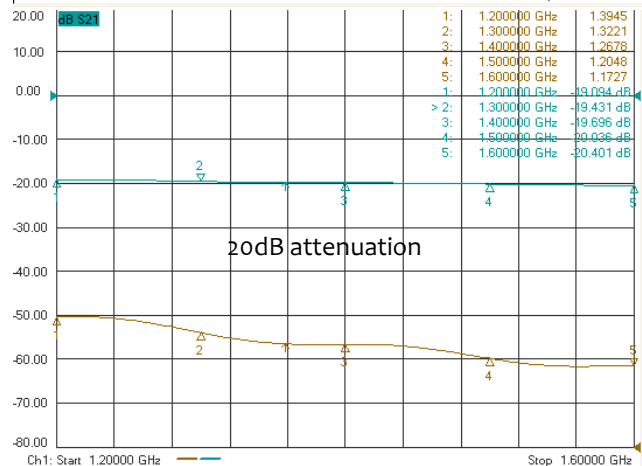
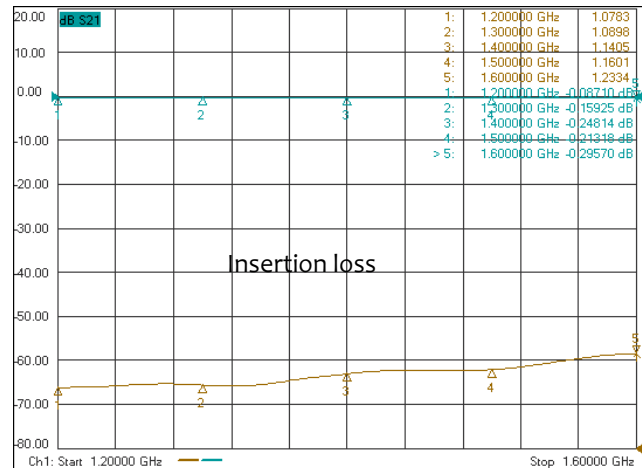
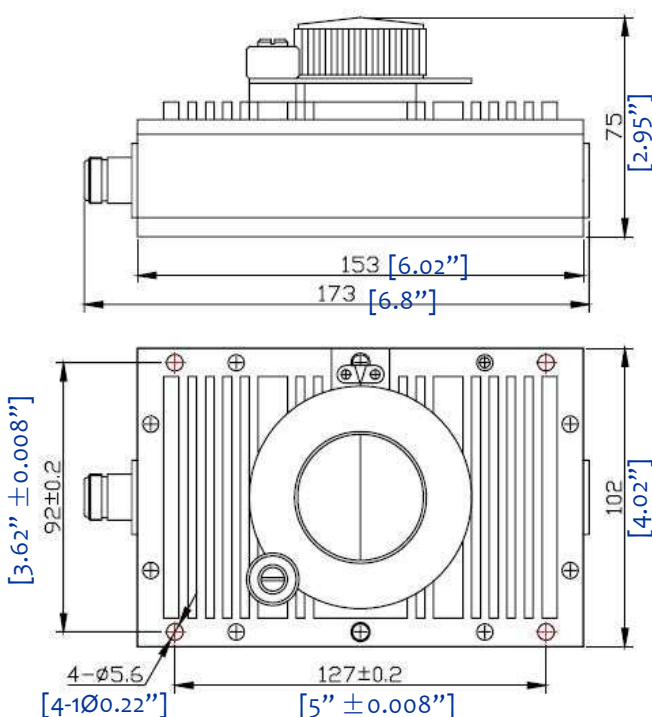
Part Number	Center Frequency	Bandwidth	Power (Watts)	Attenuation accuracy (dB)	Flatness	VSWR max.	Insertion Loss (dB)
RKT80G4A20	0.9-4GHz	10%~30%	80	20dB+/-1dB	0.15dB	1.50	<0.5

Connector: N type, weight: 2000g

Temperature

(Operational): -10° C~+50° C

(Storage) -40° C~+70° C



MANUAL CONTROL ATTENUATOR (900MHZ-4GHZ 20DB RANGE)